

[www.kus-usa.com](http://www.kus-usa.com)

**KUS**  
**Marine Products**  
CATALOG



*Sensing Quality, Gauging Success!*

# Contents

---

## **03-04** Company Introduction

## **05-30** NMEA 2000

### **06-11** Single Gauges

- Fuel Level
- Water Level
- Tachometer
- Oil Pressure
- Voltmeter
- Speedometer
- Water Temperature
- Holding Tank
- Rudder Angle

### **12-14** Accessories

- Rudder Angle Sensor
- Cables and Connectors
- Universal Analog Converters
- Gateways
- Set Up Tool
- GPS Receiver

## **15-24** Multi-Functional Digital Instrument

## **25-28** Digital Instrument Panels

## **29-50 Instrumentation Gauges**

### **30-48 Single Gauges**

Fuel Level	Speedometer
Water Level	Rudder Angle
Voltmeter	Hourmeter
Holding Tank	Ammeter
Trim	Clock
Water Temperature	Navigation Indicator
Oil Temperature	Alarm Gauge
Tachometer	Exhaust Temperature Meter

### **48-49 Multi-Functional Gauges**

### **50 Gauge Panels**

## **51-58 Liquid Level Senders**

Liquid Level
Holding Tank
Bilge

## **59-63 Other Sensors**

Rudder Angle
Temperature
Pressure
Tachometer

## **64-66 Accessories**

Flanges
Converters
Alarm
Frequency Stabilizer

# Company Introduction

---

## Over 30 Years of Engineering and Manufacturing Success!

KUS' story begins with a fuel level sender. In 1984, our company's founder was having problems with the quality of the fuel level sensors that were offered in the market. He then developed the world's first reed switch liquid level sender for marine applications. The product took off and quickly became a top seller due to its reliability, accuracy, and durability.

After the global success of KUS' initial reed switch level sender, a series of product innovations followed. KUS began developing more complex, integrated liquid level senders for the medium and heavy-duty commercial vehicle industry. Its core product offerings include liquid level sensors and Diesel Exhaust Fluid (DEF)/AdBlue sending units, quality sensors, and tank assemblies. KUS develops and manufactures a range of application solutions for the Marine, Vehicle, and Industrial industries.



## Company Introduction

### KUS Asia

Dongguan, China



Hefei, China



Guangzhou, China



Hsinchu, Taiwan



Pune, India



Chennai, India



### KUS Europe

Eindhoven, Netherlands



### KUS Americas

Davie, Florida, USA



Escobedo, Mexico





# NMEA 2000

---

The NMEA 2000 network is a Controller Area Network (CAN) bus technology that is becoming more widely adapted by the marine industry for boats and yachts of all sizes. It is a plug and play network with no master nodes to configure, and can support hot swappable devices.

The NMEA 2000 network consists of a network of certified devices, backbone with terminal plugs at both ends, drop tees, and drop lines branching from the backbone to each of the network devices.

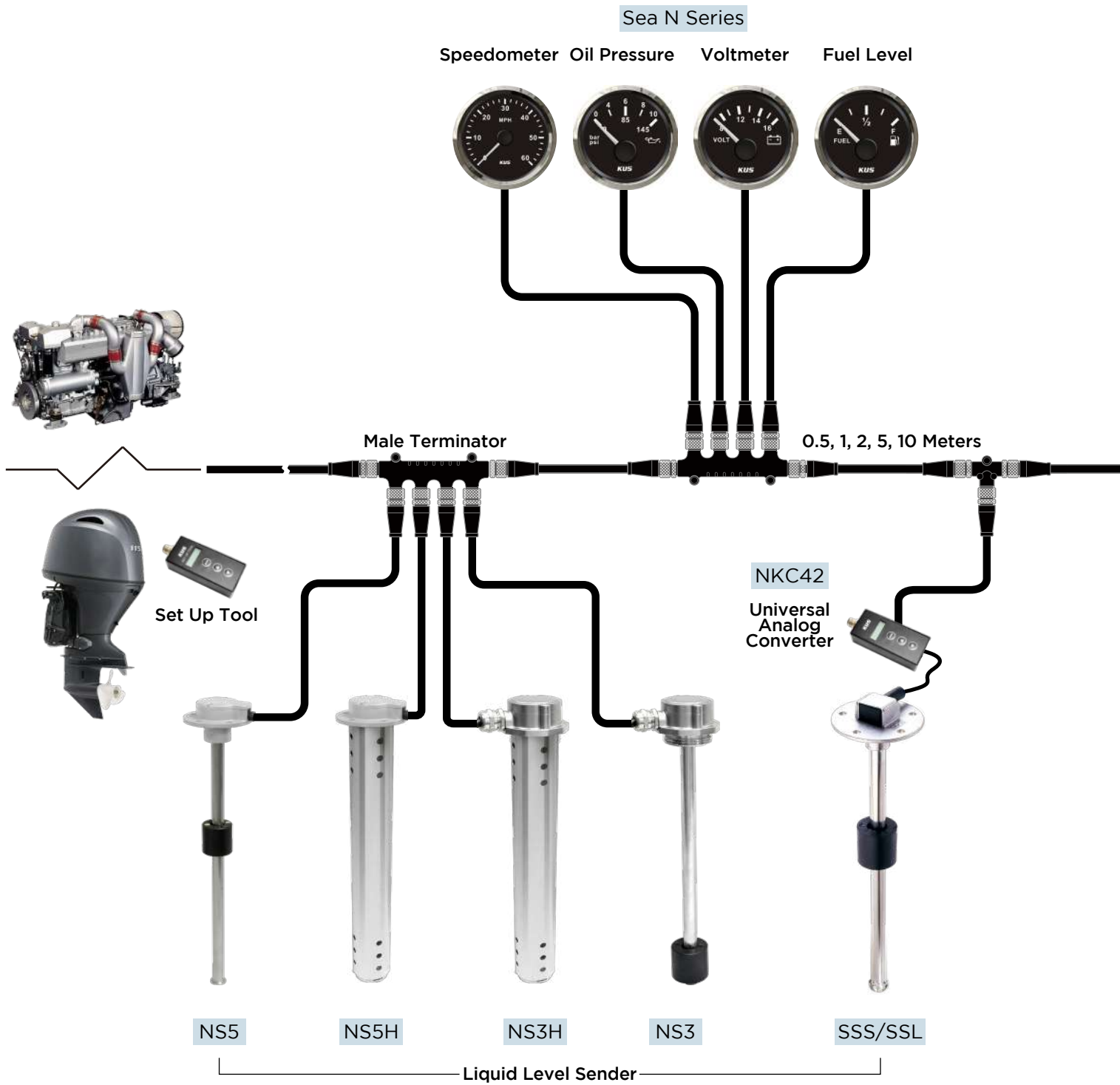
## Sea N Series



## Features

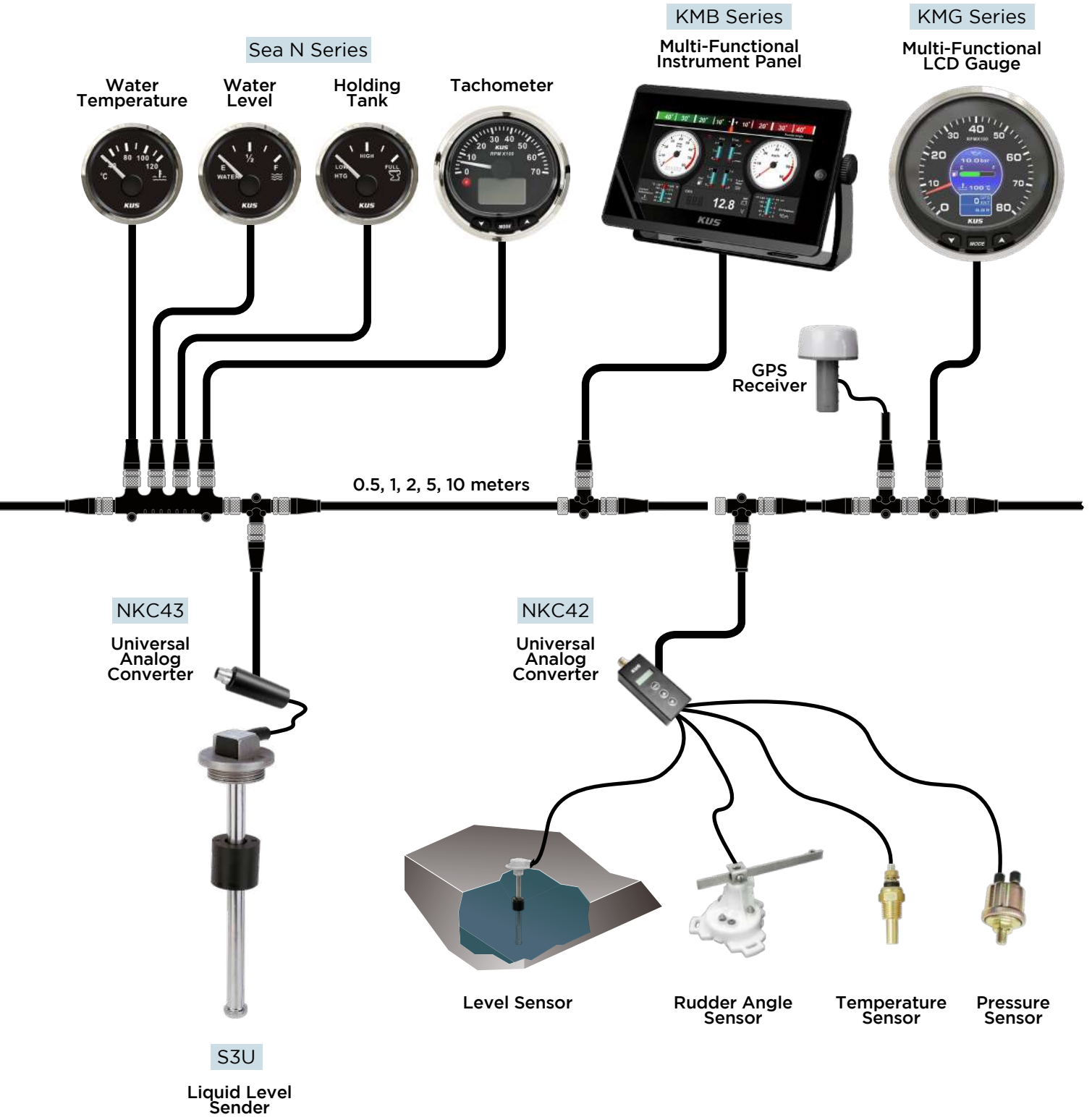
- NMEA 2000 certified/compatible
- LCD displays all available data and alarms on NMEA 2000 engines
- Reads data from NMEA 2000 and CAN Bus network
- Key engine parameters supported
- Double layer reinforced anti-fogging glass
- Options of red and blue background light, also customizable
- IP67 waterproof
- Fully readable under sunlight
- Plug and play connectors

# NMEA 2000 Network Integration System





# NMEA 2000 Network Integration System



## SEA N Series

### Fuel Level

Model No. NMFR

NMEA 2000 Certified  
Empty - Full | 12V/24V | Ø52mm



Stainless Steel Bezel  
Black Face

### Water Level

Model No. NMWR

NMEA 2000 Certified  
Empty - Full | 12V/24V | Ø52mm



Stainless Steel Bezel  
Black Face



Stainless Steel Bezel  
White Face



Stainless Steel Bezel  
White Face

## Tachometer

Model No. NMHB

NMEA 2000 Certified  
0-7000 RPM | 12V/24V | Ø85mm

Parameters Supported: Engine RPM / Coolant Temperature / Engine Hours / Oil Pressure / Trim / Fuel Rate / Fuel Tank 1 - 4



Stainless Steel Bezel  
Black Face



Stainless Steel Bezel  
White Face

## SEA N Series

### Oil Pressure

Model No. NMPR

NMEA 2000 Certified  
0-10 Bar | 12V/24V | Ø52mm



Stainless Steel Bezel  
Black Face

### Voltmeter

Model No. NMVR

NMEA 2000 Certified  
8-16 V | 12V/24V | Ø52mm



Stainless Steel Bezel  
Black Face



Stainless Steel Bezel  
White Face



Stainless Steel Bezel  
White Face

### Speedometer

Model No. NMOB

NMEA 2000 Certified  
0-60 MPH | 12V/24V | Ø85mm



Stainless Steel Bezel  
Black Face



Stainless Steel Bezel  
White Face

## SEA N Series

### Water Temperature

#### Model No. NMTR

NMEA 2000 Certified  
104-248°F (40-120°C) | 12V/24V | Ø52mm



Stainless Steel Bezel  
Black Face

### Holding Tank

#### Model No. NMGR

NMEA 2000 Certified  
Empty - Full | 12V/24V | Ø52mm



Stainless Steel Bezel  
Black Face

### Rudder Angle

#### Model No. NMRR

NMEA 2000 Compatible  
R-L | 12V/24V | Ø52mm



Stainless Steel Bezel  
Black Face



Stainless Steel Bezel  
White Face



Stainless Steel Bezel  
White Face



Stainless Steel Bezel  
White Face

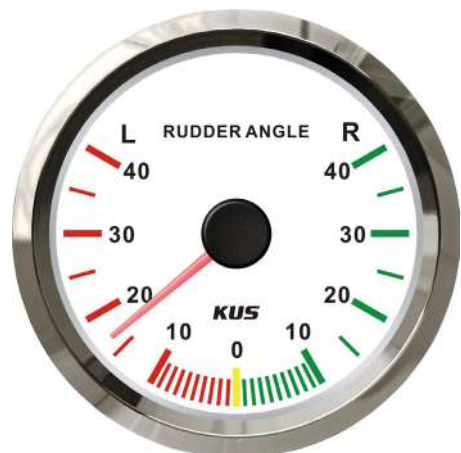
## Rudder Angle

#### Model No. NMRB

NMEA 2000 Compatible  
R-L | 12V/24V | Ø85mm



Stainless Steel Bezel  
Black Face



Stainless Steel Bezel  
White Face

## SEA N Series

### Rudder Angle Sensor



#### Features

1. Non-contact sensing, long service life
2. Standard NMEA 2000 network transmission
3. 12-bit angular resolution

#### Specifications

1. Measuring Range:  $\pm 165$  degrees
2. Working Voltage: 9 - 32V
3. Working Current: < 60mA
4. Working Temperature: -40°F to 185°F (-40°C to +85°C)
5. Protection Rating: IP67

## NMEA 2000 Cables and Connectors



Female Connector Cable  
0.5 M / 1 M



Double Male Connector Cable  
1 M



Double Female Connector Cable  
1 M



Double Connector Cable with Male and Female  
1 M



Connector Cable, One End with M12 5-Pin Male Connector and Other End with 4-Core Shielded Cable  
1 M / 5 M



Extended Cable with Male and Female Connector for 52 mm  
1 M / 5 M / 10 M



Connector Cable, Both Ends with Female Connector  
0.5 M / 1 M



T Backbone Connector  
90 Degree  
39.3 mm x 20 mm



T Backbone Connector  
180 Degree  
55.8 mm x 20 mm



Male Terminator  
Ø12 x 44.4 mm



Female Terminator  
Ø12 x 43.3 mm

## SEA N Series

### Universal Analog Converters

KUS Universal Analog Converters attach directly into NMEA 2000 network of compatible engines, transmissions, generator sets and convert the resistance signals to the NMEA 2000 or CAN Bus data. They can be used for engine data, tank levels, alarm status, generic pressures and temperature indications from any resistive sensors.



	NKC42	NKC43	NKC42-6
Dimensions	90 x 40 x 25 mm	70 x Ø27 mm	93 x 42 x 25 mm/ 90 x 40 x 25 mm
Protection Rating	IP67		
Signal Output	NMEA 2000		
Operating Voltage	8V - 32V		9V - 16V
Connector	Male Micro-C Pinot		
Operating Temperature	-40°F to +185°F (-40°C to +85°C)		-31°F to +167°F (-30°C to +75°C)
Max Current	50mA		

### NJ/JN Gateway

NJ Gateway is used for converting the engine speed, oil pressure, temperature, and voltage data in the NMEA 2000 network into the corresponding information in the J1939 network.

JN gateway is used for converting the engine speed, oil pressure, temperature, and voltage data in the J1939 network into the corresponding information in the NMEA 2000 network.



Dimensions	94 x 40 x 32 mm
Protection Rating	IP65
Weight	76 g
Operating Voltage	9V - 16V
Power Consumption	< 50mA
Load Equivalence Number (LEN)	1
Operating Temperature	-22°F to +167°F (-30°C to +75°C)
Storage Temperature	-40°F to +176°F (-40°C to +80°C)

## SEA N Series

### NMEA 2000 Bluetooth Gateway

A plug and play NMEA 2000 gateway that can send real-time engine data via bluetooth. All data can be transferred to the NMEA 2000 network and viewed on mobile devices.

The corresponding software will display network data including fuel/water tank level, engine data, voltage, vessel course, speed, position, wind speed and direction, water depth.



#### Features

1. Built-in bluetooth, easy installation with standard micro-connector
2. Plug and play without any other devices
3. Customized data
4. Option to transmit via Wi-Fi or Bluetooth

#### Specifications

Dimensions	60 x 40 x 20 mm
Protection Rating	IP67
Material	Plastic
Operating Voltage	9 V - 16 V
Power Current	45mA
Installation	Micro-C
Protection Rating	IP67

### Set Up Tool



KUS Sea N series gauges and level sensors have several configurable parameters, including the default values. If you would like to use parameters outside of the default values, you will need to use the Set Up Tool to configure the gauges and level sensors.

### GPS Receiver



GPS Receiver receives satellite signals and provides high-precision, real-time location information to the NMEA 2000 network.

## Multi-Functional LCD Gauge

# KMG-20T



The KMG-20T is a multi-functional digital instrument that displays functions including voltage, fuel level, water level, water temperature, oil temperature, oil pressure, holding tank and trim on one gauge.

It includes a stainless-steel cover to ensure corrosion resistance. Dial, data and instances can be set correspondingly through touch screen or the mobile app. The unit is compatible with NMEA 2000 network and analog signals.





# KMG-20T

## Features

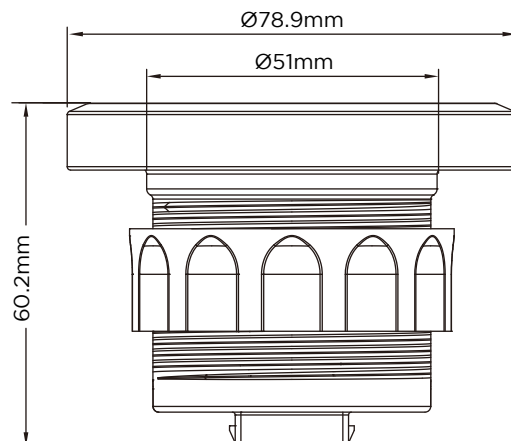
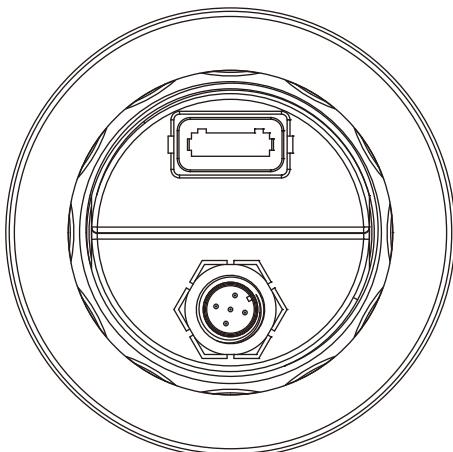
1. Integrates ten different instrument functions



- Compatible with NMEA 2000 and 2 analog inputs (1 for resistance, 1 for speed)
- Offers black or white gauge dial colors
- Touch screen or download mobile app to complete the instrument instances and firmware upgrade
- Alarm Functions: Voltmeter (10 V), Fuel (10%), Water Level (10%), Water Temperature (95°C/203°F), Oil Temperature (100°C/212°F), Oil Pressure (1.0 Bar), Holding Tank (80%), customizable
- 10% - 100% backlight brightness
- IP67 protection rating

## Specifications

- Display Dimensions:    Ø 51 mm / Ø 2 inches
- Mounting Dimensions:    Ø 52 mm / Ø 2 inches
- Working Voltage:    9-32 VDC
- Working Current:    ≤100mA (12V)
- Resolution:    480 x 480 pixels
- Operation Method:    Touch Screen and Mobile App
- Working Temperature:    -20°C to +70°C / -4°F to +158°F
- Storage Temperature:    -30°C to +80°C / -22°F to +176°F
- Accessories:    1 M 5-core CAN cable, 1 M 6-core analog cable, instructions manual





## Multi-Functional LCD Gauge

# KMG-30K



The KMG-30K is a multi-functional digital instrument that displays functions including voltage, fuel level, water level, water temperature, oil temperature, oil pressure, holding tank and trim on one gauge.

The instrument comes in a stainless-steel cover with a black dial and two styles of interface. The connection, data and instances can be set to CAN Bus or analog signal input. The unit is NMEA 2000 certified.



# KMG-30K

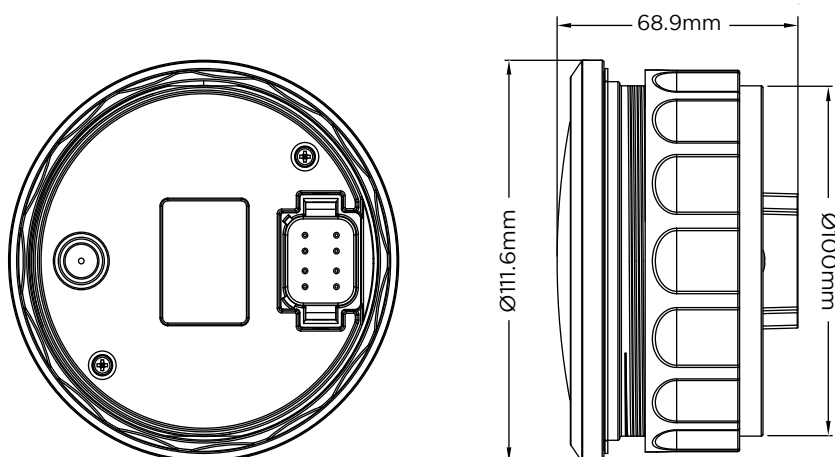
## Features

1. Compatible with NMEA 2000 and supports 4 different analog signal inputs (Tachometer Sensor, Fuel, Water Temperature and Oil Pressure Sensor), 6 or 10 analog signals can be customized
2. For NMEA 2000, the instance number needs to be set up on the KMG
3. Supports night display mode and DM1 Diagnostics
4. Alarm Functions: Fuel (10%), Water temperature (95°C/203°F), Oil pressure (0.7 bar/10 psi), customizable
5. Offers black or white panel colors
6. Backlight Brightness: 10%-100%
7. Protection Rating: IP67



## Specifications

- Display Dimensions: Ø 76 mm / Ø 3 inches
- Mounting Dimensions: Ø 100 mm / Ø 3.9 inches
- Working Voltage: 9-32 VDC
- Working Current: ≤170mA (12V)
- Resolution: 432 x 432 pixels
- Operation Method: Front Button (Up-Model-Down, 3 buttons to set up the function)
- Working Temperature: -30°C to +85°C / -22°F to +185°F
- Storage Temperature: -30°C to +85°C / -22°F to +185°F
- Accessories: 1 M 5-core CAN cable, 1 M 6 cores analog cable, instructions manual



## Multi-Functional LCD Gauge

# KMG-30T



The KMG-30T is a multi-functional digital instrument that displays functions including oil level, oil pressure, tachometer, speedometer, and oil and water temperature in one device.

The instrument comes in a stainless-steel cover with a black dial and touch screen. The connection, data and instances can be set to CAN Bus or analog signal input. The unit is compatible with NMEA 2000 network and analog signals.



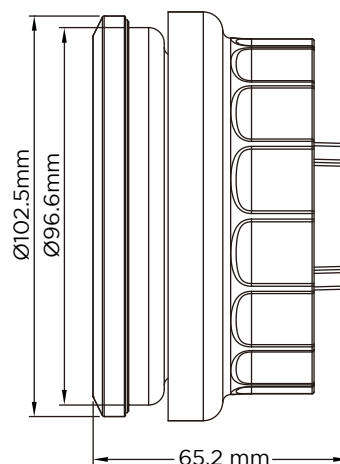
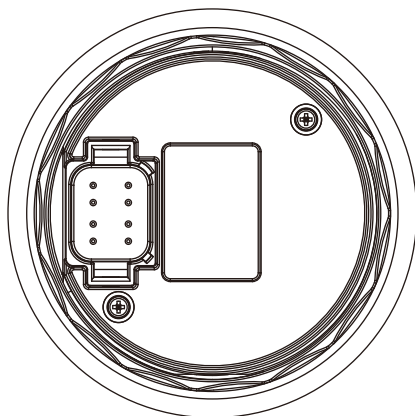
# KMG-30T

## Features

- Two display options:
  - Model 1: Speed, COG, Voltage, Fuel Level, Engine Temperature, Oil Pressure, Engine Hours
  - Model 2: RPM, Voltage, Fuel Level, Engine Temperature, Oil Pressure, Engine Hours
- Compatible with NMEA 2000 and supports 4 different analog signal inputs (Tachometer Sensor, Fuel, Water Temperature and Oil Pressure Sensor)
- For NMEA 2000, the instance number needs to be set up on the KMG
- For analog signal, optional scope can be set up by customer
  - Fuel Level ( 0 - 190ohm, 240 - 33ohm or customized)
  - Oil Pressure ( 10 - 185ohm or customized)
  - Water Temperature ( 301 - 23ohm or customized)
  - Speed Ratio: (0.5 - 250.0)
- Alarm Functions: Fuel (10%), Water Temperature (95°C/203°F), Oil Pressure (0.7 Bar/10 psi), customizable
- 10% - 100% backlight brightness
- IP67 protection rating

## Specifications

- Display Dimentions: Ø 76 mm / Ø 3 inches
- Mounting Dimensions: Ø 97.5 mm / Ø 3.8 inches
- Working Voltage: 9-32 VDC
- Working Current: ≤170mA (12V)
- Resolution: 432 x 432 pixels
- Operation Method: Touch Screen
- Working Temperature: -30°C to +85°C / -22°F to +185°F
- Storage Temperature: -30°C to +85°C / -22°F to +185°F
- Accessories: 1 M 5-core CAN cable, 1M 6 cores analog cable, instructions manual





## Multi-Functional LCD Gauge

# KMG-42T



The KMG-42T is a multi-functional digital instrument that displays functions including oil level, oil pressure, tachometer, speedometer, and oil and water temperature in one device.

The instrument comes in a stainless-steel cover with a black dial and touch screen. The connection, data and instances can be set to CAN Bus or analog signal input. The unit is NMEA 2000 certified.



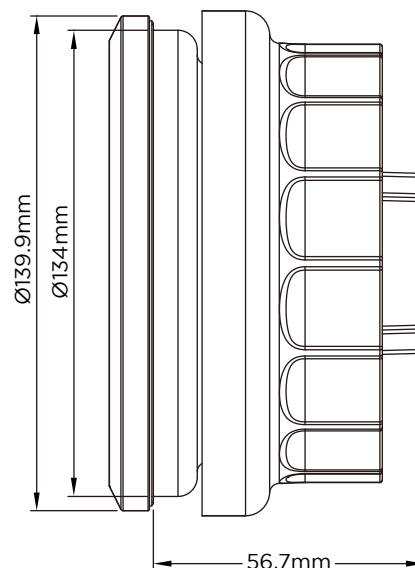
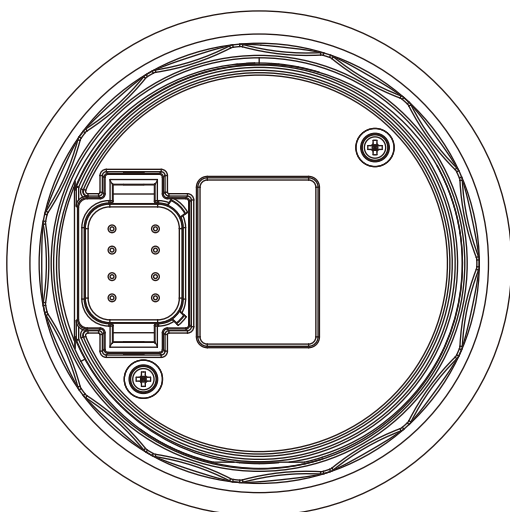
# KMG-42T

## Features

1. Two display options:
  - Model 1: Speed, RPM, Voltage, Fuel level, Engine temperature, Oil pressure, Engine work hours, Time
  - Model 2: Speed, RPM, Voltage, Fuel level, Engine temperature, Oil pressure, Engine work hours, Time
2. Compatible with NMEA 2000 and supports 4 different analog signal inputs (Tachometer Sensor, Fuel, Water Temperature and Oil Pressure Sensor)
3. For NMEA 2000, the instance number needs to be set up on the KMG
4. For analog signal, optional scope can be set up by customer
  - Fuel Level ( 0 - 190 ohm, 240 - 33 ohm or customized)
  - Oil Pressure ( 10 - 185 ohm or customized)
  - Water Temperature ( 301 - 23ohm or customized)
  - Speed Ratio: (0.5 - 250.0)
5. Alarm Functions: Fuel (10%), Water Temperature (95°C/203°F), Oil Pressure (0.7 Bar/10 psi), customizable
6. 10% - 100% backlight brightness
7. IP67 protection rating

## Specifications

- Display Dimentions:        Ø 106 mm / Ø 4.2 inches
- Mounting Dimensions:    Ø 134.5 mm / Ø 5.3 inches
- Working Voltage:         9-32 VDC
- Working Current:         ≤330mA (12V)
- Resolution:               720 x 720 pixels
- Operation Method:       Touch Screen
- Working Temperature:   -30°C to +85°C / -22°F to +185°F
- Storage Temperature:   -30°C to +85°C / -22°F to +185°F
- Accessories:             1 M 5-core CAN cable, 1 M 6-core analog cable, instructions manual



## Multi-Functional Gauge

# SMG-13K



SMG-13K is a multi-functional gauge combining a round LCD screen and a stepping motor. It displays functions including fuel level, oil pressure, water temperature, RPM and speed.

The instrument includes a stainless-steel cover and supports multiple styles and dial color options. The unit is compatible with NMEA 2000 and analog signals.





# SMG-13K

## Features

1. Various display styles



2. Compatible with NMEA 2000 and supports 4 different analog signals (Speed, Fuel Level, Water Temperature and Oil Pressure) and GPS speed input

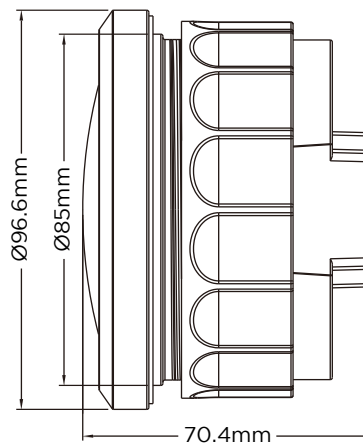
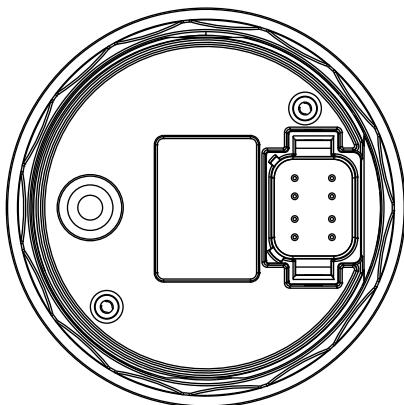
3. For analog signals, custom settings available:

- Fuel Level (0 - 190 ohm, 240 - 33 ohm or customized)
- Trim (0 - 190 ohm, 160 - 10 ohm or customized)
- Oil Pressure Alarm (low switch signal alarm)
- Water Temperature Alarm (low switch signal alarm)
- Speed Ratio: (0.1 - 24.0)

4. IP67 protection rating

## Specifications

- Display Dimensions:       $\varnothing$  32.5 mm /  $\varnothing$  1.28 inches
- Mounting Dimensions:     $\varnothing$  85 mm /  $\varnothing$  3.35 inches
- Working Voltage:         9-32 VDC
- Working Current:          $\leq$ 180mA (12V)
- Resolution:                240 x 240 pixels
- Operation Method:        Front Button
- Working Temperature:    -30°C to +70°C / -22°F to +158°F
- Storage Temperature:    -40°C to +80°C / -40°F to +176°F
- Accessories:               1 M 5-core CAN cable, 1 M 6-core analog cable, GPS receiver, instructions manual



## Digital Instrument Panel

# KMB-43



The KMB-43 is an integrated data monitor with an advanced TFT (Thin Film Transistor) screen. The panel displays real time network information including engine output, fluid levels, and speed. KUS can customize the unit to meet customer requirements.

This unit is a perfect fit for marine applications that monitor information on the NMEA 2000 network.



# KMB-43

## Features

1. 32-bit Cortex-M3 core + high-speed FPGA framework
2. Fast start-up speed
3. An easy to use and switchable interface that supports multiple languages
4. A bright high-resolution screen display that can be seen in direct sunlight
5. Compatible with NMEA 2000 including KUS Sea N series products
6. Display modes:

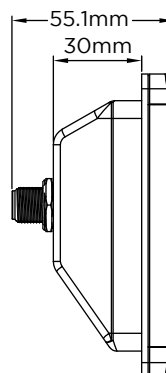
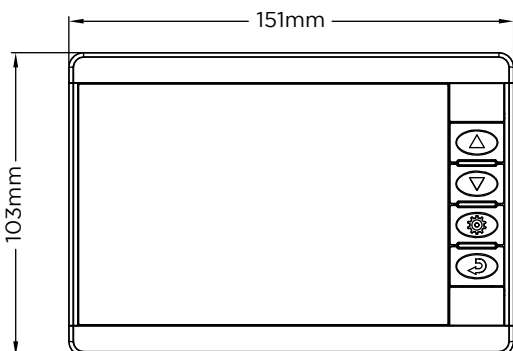


### 7. Monitoring Data:

- Engine: Speed, Trim, Coolant Water Temperature, Oil Pressure, Hours
- Navigation: Course Over Ground (COG), Speed Over Ground (SOG)
- Fluid Management: Fuel Level, Fresh Water Level, Black Water Level
- Rudder Position and Battery Voltage

## Specifications

- Display Width: 109 mm / 4.3 inches
- Working Voltage: 9-32 VDC
- Working Current: 300mA (12V)
- Resolution: 480 x 272 pixels
- Operation Method: Touch Screen
- Working Temperature: -20°C to +70°C / -4°F to +158°F  
Touch Screen -20°C to 60°C / -4°F to +140°F
- Cable Accessories: Standard 1 M length cable



## Digital Instrument Panel

# KMB-70



The KMB-70 is an integrated data monitor with an advanced TFT (Thin Film Transistor) screen. The panel displays real time network information including engine output, fluid levels, and speed. KUS can customize the unit to meet customer requirements.

This unit is a perfect fit for marine applications that monitor information on the NMEA 2000 network.



# KMB-70

## Features

1. 32-bit Cortex-M3 core + high-speed FPGA framework
2. Fast start-up speed
3. An easy to use and switchable interface that supports multiple languages and data
4. 10% - 100% brightness adjustment
5. A bright high-resolution screen display that is readable in direct sunlight
6. Compatible with NMEA2000 including KUS Sea N series products
7. Display modes:

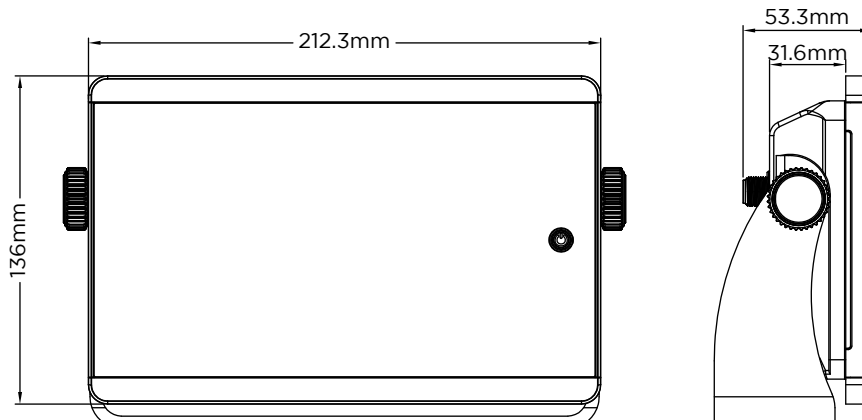


### 7. Monitoring Data:

- Engine: Speed, Trim, Coolant Water Temperature, Oil Pressure, Hours
- Navigation: Course Over Ground (COG), Speed Over Ground (SOG)
- Fluid Management: Fuel Level, Fresh Water Level, Black Water Level
- Rudder Position and Battery Voltage

## Specifications

- Display Width: 177 mm / 7 inches
- Working Voltage: 9-32 VDC
- Working Current: 400mA (12V)
- Resolution: 800 x 480 pixels
- Operation Method: Touch Screen
- Working Temperature: -20°C to +70°C / -4°F to +158°F  
Touch Screen -20°C to 60°C / -4°F to +140°F
- Cable Accessories: Standard 1 M length cable





# Instrumentation Gauges

---

The instrumentation gauges are widely used in marine, on-road, off-road, and industrial applications. Our gauges have passed environmental and vibration tests to ensure product durability.

We offer a variety of standard products and can work with customers to design, validate, and manufacture custom solutions.

# Features

Double layer reinforced anti-fogging glass  
316 Stainless steel bezel with convex glass  
Options of red or yellow backlight

## Sea V Series

- IP67 protection rating on the entire gauge, work up to 1 M underwater
- Easy installation with multi-socket connection
- Default working voltage is 12V
  - Compatible with 24V for stepping motor and LCD type gauges
  - Cross coil type gauges require an extra resistor to work with 24V



## Sea Q Series

- IP67 protection rating in front and IP65 on the back
- Quick and easy installation by terminal
- Work with both 12V and 24V
- Compatible with 24V for stepping motor and LCD type gauges



\*Please see page 9 for differences between Sea V and Sea Q Series\*

# Fuel Level Gauges

## Analog

### Sea V Series

Model No. CPFR  
0-190Ω | 240-33Ω  
12V/24V  
Ø52mm



Stainless Steel Bezel  
Black Face



Stainless Steel Bezel  
White Face



Black SS Bezel  
Black Face



Black Plastic Bezel  
Black Face



White Plastic Bezel  
White Face

### Sea Q Series

Model No. FPFR  
0-190Ω | 240-33Ω  
12V/24V  
Ø52mm



Stainless Steel Bezel  
Black Face



Stainless Steel Bezel  
White Face



Black SS Bezel  
Black Face

## Digital Display

### Sea V Series

Model No. CEFR  
0-190Ω | 240-33Ω  
12V/24V  
Ø52mm



Stainless Steel Bezel  
Black Face



Stainless Steel Bezel  
White Face



Black SS Bezel  
Black Face



Black Plastic Bezel  
Black Face



White Plastic Bezel  
White Face

### Sea Q Series

Model No. FEFR  
0-190Ω | 240-33Ω  
12V/24V  
Ø52mm



Stainless Steel Bezel  
Black Face



Stainless Steel Bezel  
White Face



Black SS Bezel  
Black Face

## 8 LED

### Sea V Series

Model No. CDFR  
0-190Ω | 240-33Ω  
12V/24V  
Ø52mm



Stainless Steel Bezel  
Black Face



Stainless Steel Bezel  
White Face



Black SS Bezel  
Black Face



Black Plastic Bezel  
Black Face



White Plastic Bezel  
White Face



# Water Level Gauges

## Analog

### Sea V Series

Model No. CPWR  
0-190Ω | 240-33Ω  
Ø52mm



Stainless Steel Bezel  
Black Face



Stainless Steel Bezel  
White Face



Black SS Bezel  
Black Face



Black Plastic Bezel  
Black Face



White Plastic Bezel  
White Face

### Sea Q Series

Model No. FPWR  
0-190Ω | 240-33Ω  
Ø52mm



Stainless Steel Bezel  
Black Face



Stainless Steel Bezel  
White Face



Black SS Bezel  
Black Face

### Sea V Series

Model No. CDWR  
0-190Ω | 240-33Ω  
Ø52mm



Stainless Steel Bezel  
Black Face



Stainless Steel Bezel  
White Face



Black SS Bezel  
Black Face



Black Plastic Bezel  
Black Face



White Plastic Bezel  
White Face

## 8 LED

# Voltmeter

## Analog

### Sea V Series

Model No. CPVR  
0-190 Ω | 240-33 Ω  
12V/24V  
Ø52mm

Display Range:  
8V-16V | 18V-32V



Stainless Steel Bezel  
Black Face



Stainless Steel Bezel  
White Face



Black SS Bezel  
Black Face



Black Plastic Bezel  
Black Face



White Plastic Bezel  
White Face

### Sea Q Series

Model No. FPVR  
0-190Ω | 240-33Ω  
12V/24V  
Ø52mm

Display Range:  
8V-16V | 18V-32V



Stainless Steel Bezel  
Black Face



Stainless Steel Bezel  
White Face



Black SS Bezel  
Black Face

\*Please see page 9 for differences between Sea V and Sea Q Series\*

## Voltmeter

### Digital Display

#### Sea V Series

Model No. CEVR  
0-190Ω | 240-33Ω  
12V/24V  
Ø52mm  
Display Range: 9V-32V



Stainless Steel Bezel  
Black Face



Stainless Steel Bezel  
White Face



Black SS Bezel  
Black Face



Black Plastic Bezel  
Black Face



White Plastic Bezel  
White Face

#### Sea Q Series

Model No. FEVR  
0-190Ω | 240-33Ω  
12V/24V  
Ø52mm  
Display Range: 9V-32V



Stainless Steel Bezel  
Black Face



Stainless Steel Bezel  
White Face



Black SS Bezel  
Black Face

## Holding Tank

### Analog

#### Sea V Series

Model No. CPGR  
0-190Ω | 240-33Ω  
12V/24V  
Ø52mm



Stainless Steel Bezel  
Black Face



Stainless Steel Bezel  
White Face



Black SS Bezel  
Black Face



Black Plastic Bezel  
Black Face



White Plastic Bezel  
White Face

#### Sea Q Series

Model No. FPGR  
0-190Ω | 240-33Ω  
12V/24V  
Ø52mm



Stainless Steel Bezel  
Black Face



Stainless Steel Bezel  
White Face



Black SS Bezel  
Black Face

### 8 LED

#### Sea V Series

Model No. CDGR  
0-190Ω | 240-33Ω  
12V/24V  
Ø52mm



Stainless Steel Bezel  
Black Face



Stainless Steel Bezel  
White Face



Black SS Bezel  
Black Face



Black Plastic Bezel  
Black Face



White Plastic Bezel  
White Face

# Trim

## Analog

### Sea V Series

Model No.  
CPIR  
0-190Ω | 240-33Ω  
12V/24V  
Ø52mm



Stainless Steel Bezel  
Black Face



Stainless Steel Bezel  
White Face



Black SS Bezel  
Black Face



Black Plastic Bezel  
Black Face



White Plastic Bezel  
White Face

### Sea V Series

Model No.  
CPIR  
0-190Ω | 240-33Ω  
12V/24V  
Ø52mm



Stainless Steel Bezel  
Black Face



Stainless Steel Bezel  
White Face



Black SS Bezel  
Black Face



Black Plastic Bezel  
Black Face



White Plastic Bezel  
White Face

### Sea V Series

Model No.  
ZMIR  
0-190Ω | 240-33Ω  
12V/24V  
Ø52mm



Stainless Steel Bezel  
Black Face



Black SS Bezel  
Black Face

### Sea Q Series

Model No.  
FPIR  
0-190Ω | 240-33Ω  
12V/24V  
Ø52mm



Stainless Steel Bezel  
Black Face



Stainless Steel Bezel  
White Face



Black SS Bezel  
Black Face

### Sea Q Series

Model No.  
FPIR  
0-190Ω | 240-33Ω  
12V/24V  
Ø52mm



Stainless Steel Bezel  
Black Face



Stainless Steel Bezel  
White Face



Black SS Bezel  
Black Face

\*Please see page 9 for differences between Sea V and Sea Q Series\*

# Water Temperature

## Analog

### Sea V Series

Model No. CPTR  
0-190Ω | 240-33Ω  
12V/24V  
Ø52mm



Stainless Steel Bezel  
Black Face



Stainless Steel Bezel  
White Face



Black SS Bezel  
Black Face



Black Plastic Bezel  
Black Face



White Plastic Bezel  
White Face

### Sea Q Series

Model No. FPTR  
0-190Ω | 240-33Ω  
12V/24V  
Ø52mm



Stainless Steel Bezel  
Black Face



Stainless Steel Bezel  
White Face



Black SS Bezel  
Black Face

## Digital Display

### Sea V Series

Model No. CETR  
0-190Ω | 240-33Ω  
12V/24V  
Ø52mm



Stainless Steel Bezel  
Black Face



Stainless Steel Bezel  
White Face



Black SS Bezel  
Black Face



Black Plastic Bezel  
Black Face



White Plastic Bezel  
White Face

### Sea Q Series

Model No. FETR  
0-190Ω | 240-33Ω  
12V/24V  
Ø52mm



Stainless Steel Bezel  
Black Face



Stainless Steel Bezel  
White Face



Black SS Bezel  
Black Face

# Oil Temperature

## Analog

### Sea V Series

Model No. CPYR  
0-190Ω | 240-33Ω  
12V/24V  
Ø52mm



Stainless Steel Bezel  
Black Face



Stainless Steel Bezel  
White Face



Black SS Bezel  
Black Face



Black Plastic Bezel  
Black Face



White Plastic Bezel  
White Face

# Oil Temperature

## Analog

### Sea Q Series

Model No.  
FPYR  
0-190Ω | 240-33Ω  
12V/24V  
Ø52mm



Stainless Steel Bezel  
Black Face



Stainless Steel Bezel  
White Face



Black SS Bezel  
Black Face

# Oil Pressure

## Analog

### Sea V Series

Model No.  
CPPR  
0-190Ω | 240-33Ω  
12V/24V  
Ø52mm



Stainless Steel Bezel  
Black Face



Stainless Steel Bezel  
White Face



Black SS Bezel  
Black Face



Black Plastic Bezel  
Black Face



White Plastic Bezel  
White Face

### Sea Q Series

Model No.  
FPPR  
0-190Ω | 240-33Ω  
12V/24V  
Ø52mm



Stainless Steel Bezel  
Black Face



Black SS Bezel  
Black Face



Black SS Bezel  
Black Face

## Digital Display

### Sea V Series

Model No.  
CEPR  
0-190Ω | 240-33Ω  
12V/24V  
Ø52mm  
Display Range:  
0 - 5 Bar | 0 - 10 Bar



Stainless Steel Bezel  
Black Face



Stainless Steel Bezel  
White Face



Black SS Bezel  
Black Face



Black Plastic Bezel  
Black Face



White Plastic Bezel  
White Face

### Sea Q Series

Model No.  
FEPR  
0-190Ω | 240-33Ω  
12V/24V  
Ø52mm  
Display Range:  
0 - 5 Bar | 0 - 10 Bar



Stainless Steel Bezel  
Black Face



Stainless Steel Bezel  
White Face



Black SS Bezel  
Black Face

\*Please see page 9 for differences between Sea V and Sea Q Series\*

# Tachometer

## Analog

### Sea V Series

Model No.  
CMHB

12V/24V

Ø85mm

Speed Ratio:  
1.0-10.0  
0.5-250.0

Display Range:  
0-4000 RPM  
0-6000 RPM  
0-8000 RPM



Stainless Steel Bezel  
Black Face



Stainless Steel Bezel  
White Face



Black SS Bezel  
Black Face



Black Plastic Bezel  
Black Face



White Plastic Bezel  
White Face

### Sea Q Series

Model No.  
FMHB

12V/24V

Ø85mm

Speed Ratio:  
1.0-10.0  
0.5-250.0

Display Range:  
0-4000 RPM  
0-6000 RPM  
0-8000 RPM



Stainless Steel Bezel  
Black Face



Stainless Steel Bezel  
White Face



Black SS Bezel  
Black Face

\*Please see page 9 for differences between Sea V and Sea Q Series\*

# Tachometer

## Analog

### Sea V Series

Model No. CMHE

- 12V/24V

- Ø85mm

-

Speed Ratio: 1.0-10.0

-

Display Range: 0-6000 RPM

-



Stainless Steel Bezel  
Black Face



Stainless Steel Bezel  
White Face

## Digital Display

### Sea V Series

Model No. CCHB

- 12V/24V

- Ø85mm

-

Speed Ratio: 1.0-10.0

0.5-250.0

-

Display Range: 0-8000 RPM

-



Stainless Steel Bezel  
Black Face



Stainless Steel Bezel  
White Face



Black SS Bezel  
Black Face



Black Plastic Bezel  
Black Face



White Plastic Bezel  
White Face

\*Please see page 9 for differences between Sea V and Sea Q Series\*

# Speedometer

## Analog

### Sea V Series

Model No.

CPOB

- 12V/24V

- Ø85mm

- Signal:  
Pitot tube provides pressure signals

- Display Range:

0-35 MPH

0-55 MPH

0-65 MPH



Stainless Steel Bezel  
Black Face



Stainless Steel Bezel  
White Face



Black SS Bezel  
Black Face



Black Plastic Bezel  
Black Face



White Plastic Bezel  
White Face

### Sea Q Series

Model No.

FPOB

- 12V/24V

- Ø85mm

- Signal:  
Pitot tube provides pressure signals

- Display Range:

0-35 MPH

0-55 MPH

0-65 MPH



Stainless Steel Bezel  
Black Face



Stainless Steel Bezel  
White Face



Black SS Bezel  
Black Face

### Pitot Tubes



White  
P/N #: JYM1060



Black  
P/N #: JKE00284



# Speedometer

## Analog

### Sea V Series

Model No.

CMOB

- 12V/24V

- Ø85mm

Signal:  
Normal impulse

Display Range:  
0-120 KM/H  
0-200 KM/H



Stainless Steel Bezel  
Black Face



Stainless Steel Bezel  
White Face



Black SS Bezel  
Black Face



Black Plastic Bezel  
Black Face



White Plastic Bezel  
White Face

## Analog 60 MPH

### Sea V Series

Model No.

CMSE

- 12V/24V

- Ø110mm

Signal:  
GPS

Display Range:  
0-60 MPH



Stainless Steel Bezel  
Black Face



Stainless Steel Bezel  
White Face

\*Please see page 9 for differences between Sea V and Sea Q Series\*

# Speedometer

## GPS

### Sea V Series

Model No.

CMSB

- 12V/24V

- Ø85mm

- Signal:  
GPS

- Display Range:  
0-15 Knots  
0-30 Knots  
0-60 Knots



Stainless Steel Bezel  
Black Face



Stainless Steel Bezel  
White Face



Black SS Bezel  
Black Face



Black Plastic Bezel  
Black Face



White Plastic Bezel  
White Face

### Sea Q Series

Model No.

FMSB

- 12V/24V

- Ø85mm

- Signal:  
GPS

- Display Range:  
0-15 Knots  
0-30 Knots  
0-60 Knots



Stainless Steel Bezel  
Black Face




Stainless Steel Bezel  
White Face




Black SS Bezel  
Black Face

GPS Antenna



Built-In  
GPS Antenna



5 meters long GPS Antenna  
included in the package

\*Please see page 9 for differences between Sea V and Sea Q Series\*

# Speedometer

## Digital Display GPS

### Sea V Series

Model No. CCSB

- 12V/24V

- Ø85mm

- Signal: GPS

- Display Range: 0-999 Knots



Stainless Steel Bezel  
Black Face



Stainless Steel Bezel  
White Face



Black SS Bezel  
Black Face



Black Plastic Bezel  
Black Face



White Plastic Bezel  
White Face

### Sea V Series

Model No. CCSR

- 12V/24V

- Ø52mm

- Signal: GPS

- Display Range: 0-999 KM/H



Stainless Steel Bezel  
Black Face



Stainless Steel Bezel  
White Face



Black SS Bezel  
Black Face



Black Plastic Bezel  
Black Face



White Plastic Bezel  
White Face

### GPS Antenna



Built-In  
GPS Antenna



5 meters long GPS Antenna  
included in the package

\*Please see page 9 for differences between Sea V and Sea Q Series\*

# Rudder Angle

## Analog

### Sea V Series

Model No. CMRR  
87-900Ω | 0-190Ω  
12V/24V  
Ø52mm

Display Range: R-L



Stainless Steel Bezel  
Black Face



Stainless Steel Bezel  
White Face



Black SS Bezel  
Black Face



Black Plastic Bezel  
Black Face



White Plastic Bezel  
White Face

### Sea V Series

Model No. CMRR  
0-190Ω  
12V/24V  
Ø52mm

Display Range: R-L



Stainless Steel Bezel  
Black Face



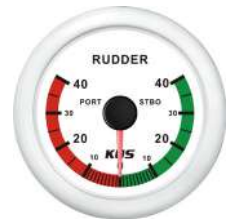
Stainless Steel Bezel  
White Face



Black SS Bezel  
Black Face



Black Plastic Bezel  
Black Face



White Plastic Bezel  
White Face

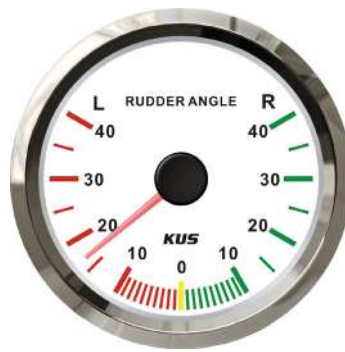
### Sea V Series

Model No. CMRB  
0-190Ω  
12V/24V  
Ø85mm

Display Range: R-L



Stainless Steel Bezel  
Black Face



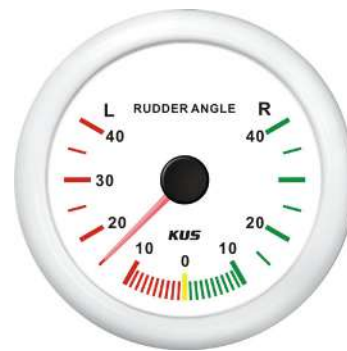
Stainless Steel Bezel  
White Face



Black SS Bezel  
Black Face



Black Plastic Bezel  
Black Face



White Plastic Bezel  
White Face

\*Please see page 9 for differences between Sea V and Sea Q Series\*

# Rudder Angle

## Analog

### Sea V Series

Model No.

CMRB

0-190Q

12V/24V

Ø85mm

-

Display Range:

R-L



Stainless Steel Bezel  
Black Face



Stainless Steel Bezel  
White Face



Black SS Bezel  
Black Face



Black Plastic Bezel  
Black Face



White Plastic Bezel  
White Face

### Sea V Series

Model No.

CMRB

12V/24V

Ø85mm

-

Signal:

0-5 K



Stainless Steel Bezel  
Black Face



Stainless Steel Bezel  
White Face



Black SS Bezel  
Black Face



Black Plastic Bezel  
Black Face



White Plastic Bezel  
White Face

\*Please see page 9 for differences between Sea V and Sea Q Series\*

# Rudder Angle

## Analog

### Sea Q Series

Model No. FMRR  
87-900Ω | 0-190Ω  
12V/24V  
Ø52mm  
-  
Display Range: R-L



Stainless Steel Bezel  
Black Face



Stainless Steel Bezel  
White Face



Black SS Bezel  
Black Face

### Sea Q Series

Model No. FMRB  
0-190Ω  
12V/24V  
Ø85mm  
-  
Display Range: R-L



Stainless Steel Bezel  
Black Face



Stainless Steel Bezel  
White Face



Black SS Bezel  
Black Face

# Hourmeter

## Analog

### Sea V Series

Model No. CCUR  
12V/24V  
Ø52mm  
0-99999



Stainless Steel Bezel  
Black Face



Stainless Steel Bezel  
White Face



Black SS Bezel  
Black Face



Black Plastic Bezel  
Black Face



White Plastic Bezel  
White Face

### Sea Q Series

Model No. FCUR  
12V/24V  
Ø52mm  
0-99999



Stainless Steel Bezel  
Black Face



Stainless Steel Bezel  
White Face



Black SS Bezel  
Black Face

# Ammeter

## Analog

### Sea V Series

Model No.  
CMAR  
12V/24V  
Ø52mm

Match with KUS  
Current Shut Unit



Stainless Steel Bezel  
Black Face



Stainless Steel Bezel  
White Face



Black SS Bezel  
Black Face



Black Plastic Bezel  
Black Face



White Plastic Bezel  
White Face

Current  
Shut Unit



8-32 VDC

## Digital Display

### Sea V Series

Model No.  
CEAR  
12V/24V  
Ø52mm

Match with KUS  
Current Shut Unit



Stainless Steel Bezel  
Black Face



Stainless Steel Bezel  
White Face



Black SS Bezel  
Black Face



Black Plastic Bezel  
Black Face



White Plastic Bezel  
White Face

### Sea Q Series

Model No.  
FEAR  
12V/24V  
Ø52mm

Match with KUS  
Current Pickup Unit



Stainless Steel Bezel  
Black Face



Black SS Bezel  
White Face



Black SS Bezel  
Black Face

# Clock

## Analog

### Sea V Series

Model No.  
CMCR  
12V/24V  
Ø52mm

12-HR Format



Stainless Steel Bezel  
Black Face



Stainless Steel Bezel  
White Face



Black SS Bezel  
Black Face



Black Plastic Bezel  
Black Face



White Plastic Bezel  
White Face

\*Please see page 9 for differences between Sea V and Sea Q Series\*

## Navigation Indicator

### Analog

#### Sea V Series

Model No.  
CONR  
0-190Ω | 240-33Ω  
12V/24V  
Ø52mm



Stainless Steel Bezel  
Black Face



Stainless Steel Bezel  
White Face



Black SS Bezel  
Black Face



Black Plastic Bezel  
Black Face



White Plastic Bezel  
White Face

## Alarm Indicator

### 3 LED

#### Sea V Series

Model No.  
SSS-PAN  
0-190Ω | 240-33Ω  
12V/24V  
Ø52mm



Stainless Steel Bezel  
Black Face



Stainless Steel Bezel  
White Face



Black SS Bezel  
Black Face



Black Plastic Bezel  
Black Face



White Plastic Bezel  
White Face

## Alarm Gauge

### 4 LED

#### Sea V Series

Model No.  
CDQR  
0-190Ω | 240-33Ω  
12V/24V  
Ø52mm



Stainless Steel Bezel  
Black Face



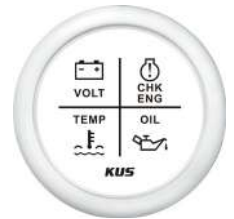
Stainless Steel Bezel  
White Face



Black SS Bezel  
Black Face



Black Plastic Bezel  
Black Face



White Plastic Bezel  
White Face

#### Sea Q Series

Model No.  
FDQR  
0-190Ω | 240-33Ω  
12V/24V  
Ø52mm



Stainless Steel Bezel  
Black Face



Stainless Steel Bezel  
White Face



Black SS Bezel  
Black Face



# Exhaust Temperature Meter

## Analog

### Sea V Series

Model No. CMTR  
12V/24V  
Ø52mm

Display Range: 0-800/0-200



Stainless Steel Bezel  
Black Face



Stainless Steel Bezel  
White Face



Black SS Bezel  
Black Face



Black Plastic Bezel  
Black Face



White Plastic Bezel  
White Face

**Exhaust  
Temperature  
Sensor**



32°F to 1472°F (0°C to 800°C) | 32°F to 392°F (0°C to 200°C)

## Multi-Functional

### 3 in 1

### Sea V Series

Model No. CMQE  
12V/24V  
Ø110mm

Signal:  
Fuel Level: 0-180 ohm  
Voltage: 8-16V  
Tachometer: 0-6000 RPM

Display Range:  
Fuel Level: Empty-Full  
Voltage: 8-16V  
Tachometer: 0-6000 RPM



### 4 in 1

### Sea V Series

Model No. CMQE  
12V/24V  
Ø110mm

Signal:  
Oil Pressure: 240-33 ohm  
Fuel Level: 240-33 ohm  
Voltage: 8-16V  
Water Temperature: 328-22 ohm

Display Range:  
Oil Pressure: 0-80 psi  
Fuel Level: Empty-Full  
Voltage: 8-16V  
Water Temperature: 0-250°F



**Instrumentation Gauges - Multi-Functional Gauges**

\*Please see page 9 for differences between Sea V and Sea Q Series\*

# Multi-Functional

## Digital Display 3 in 1

### Sea V Series

Model No.  
CP3-WGV  
0-190ff  
9V-32V  
Ø52mm

Signal:  
Water Level: 0-190 ohm  
Black Water Level: 0-190 ohm  
Voltage: 9V-32V

Display Range:  
Water Level: 0% - 100%  
Black Water Level: 0% - 100%  
Voltage: 9V-32V



Stainless Steel Bezel  
Black Face



Stainless Steel Bezel  
White Face



Black SS Bezel  
Black Face



Black Plastic Bezel  
Black Face



White Plastic Bezel  
White Face

## Digital Display 4 in 1

### Sea V Series

Model No.  
P4-VTPR  
-  
12V/24V  
-  
Ø85mm

Signal:  
Water Temperature: 301-23 ohm  
Oil Pressure: 10-185 ohm  
Tachometer: 0-6000 RPM  
Speed Ratio: 0.5-250

Display Range:  
Voltage: 9-32V  
Water Temperature: 40-120°C  
Oil Pressure: 0-1 MPa  
Tachometer: 0-6000 RPM



Stainless Steel Bezel  
Black Face



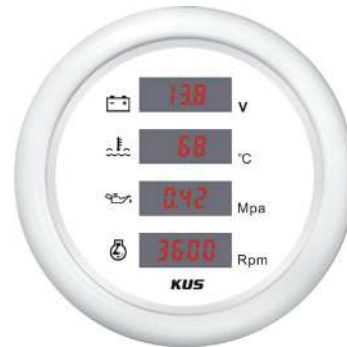
Stainless Steel Bezel  
White Face



Black SS Bezel  
Black Face



Black Plastic Bezel  
Black Face



White Plastic Bezel  
White Face

# Gauge Panels

KUS offer gauge panels that are designed to meet customer needs. They allow easy assembly and convenient routine maintenance. Acousto-optic alarming, over current protection, over voltage protection and other features are integrated in the gauge panels.

The gauge panels' color, size, functions and working voltage of 12V or 24V can be customized. Contact us for more information and product offerings.



# Sea Q Series

Model No.

FPOB

-  
12V/24V

-  
Ø85mm

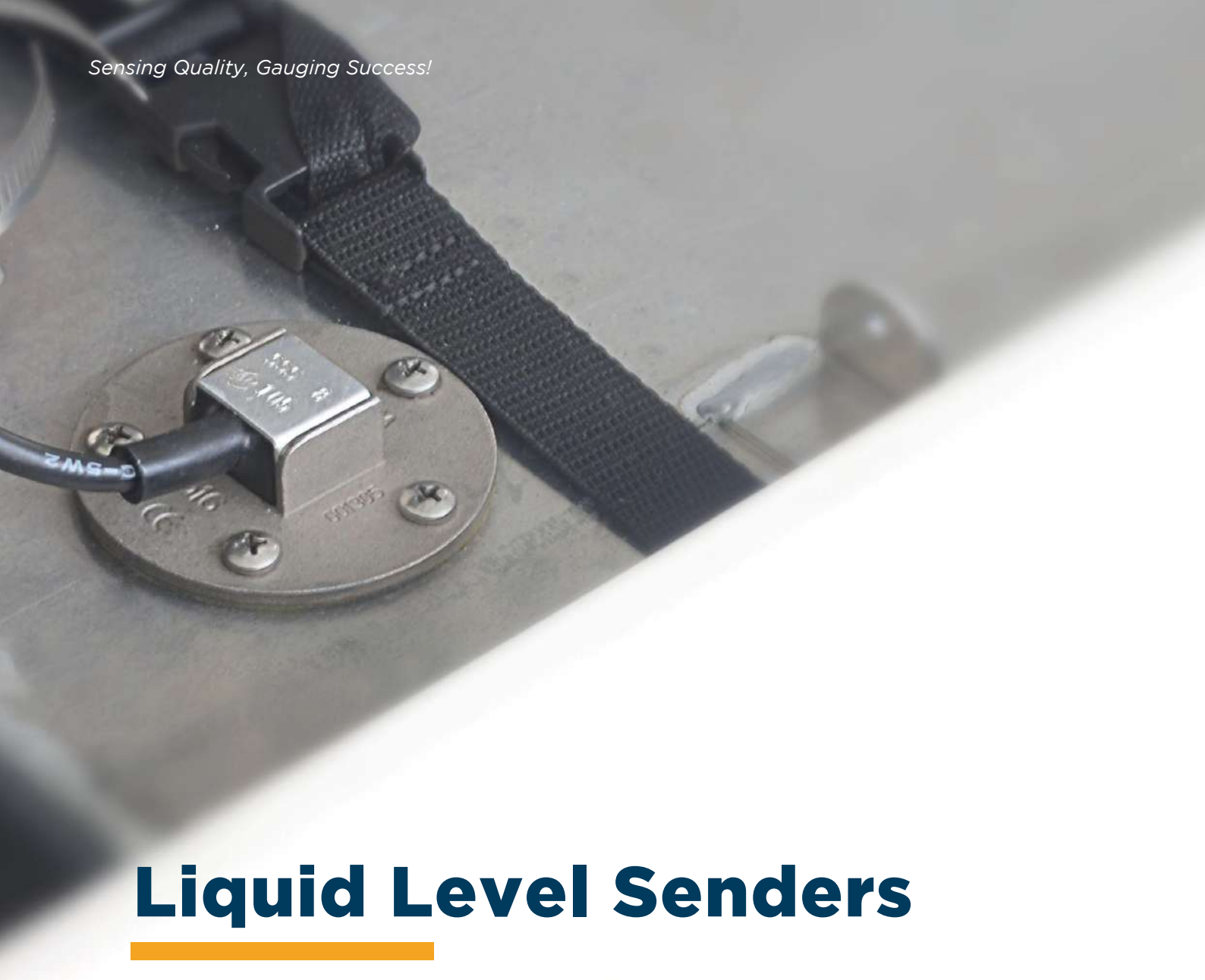
-  
Signal:  
Pitot tube provides  
pressure signals

-  
Display Range:

0-35 MPH

0-55 MPH

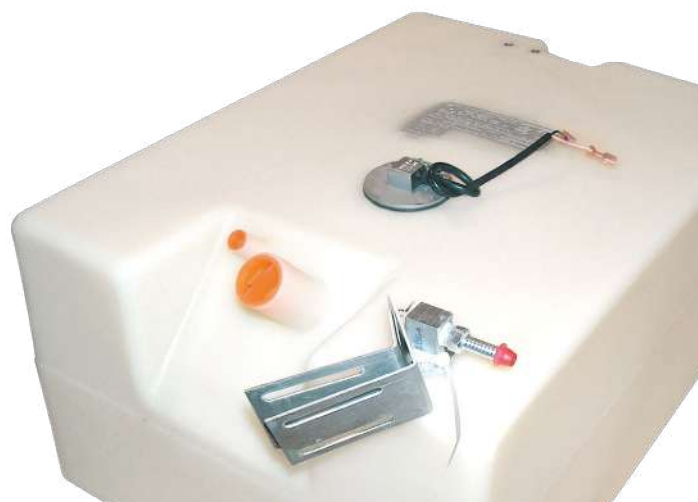
0-65 MPH



# Liquid Level Senders

KUS liquid level sending units are widely used in marine, on-road, off-road, and industrial applications. The liquid level sending unit utilizes reed switch and magnetic field technology.

The advantage of reed switch type level sending units over thick-film swing arm type level units is the reed switch's durability and reliability. The float is the only moving part on the reed switch level sending units, thereby minimizing potential mechanical failures.



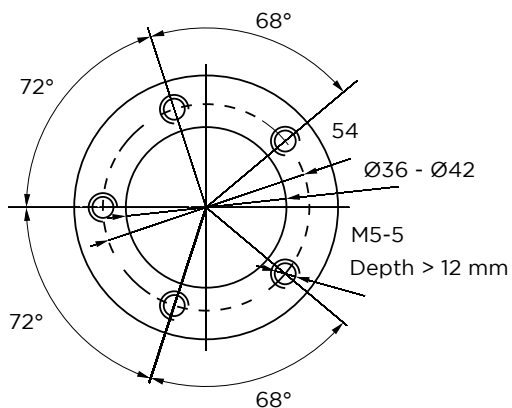
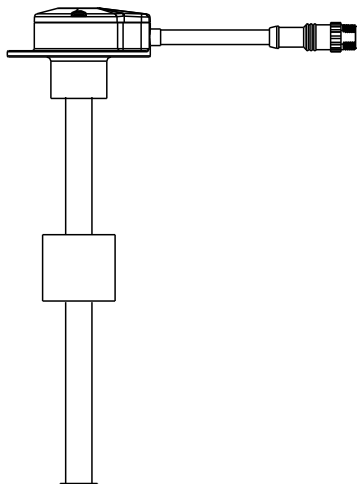
# NS5

The NS5 series electronic liquid level senders utilize the stability and accuracy of KUS reed switch technology. It is a simple “plug and play” solution for providing fuel or water level signal to the NMEA 2000 network, without the need of additional converter or adapter.



## Specifications

Material	SUS 316 Stainless Steel body, NBR float
Mounting	SAE 5 Hole Pattern
IP Rating	IP67
Signal Output	NMEA 2000 Network
Resolution	0.5" - 0.8" (10 mm - 21 mm)
Operating Temperature	-22°F to +176°F (-30°C to +80°C)
Lengths	4" - 78" (100 mm - 2000 mm), customizable
Accessories	M5 screws x 5 2 mm thick NBR gasket x 1

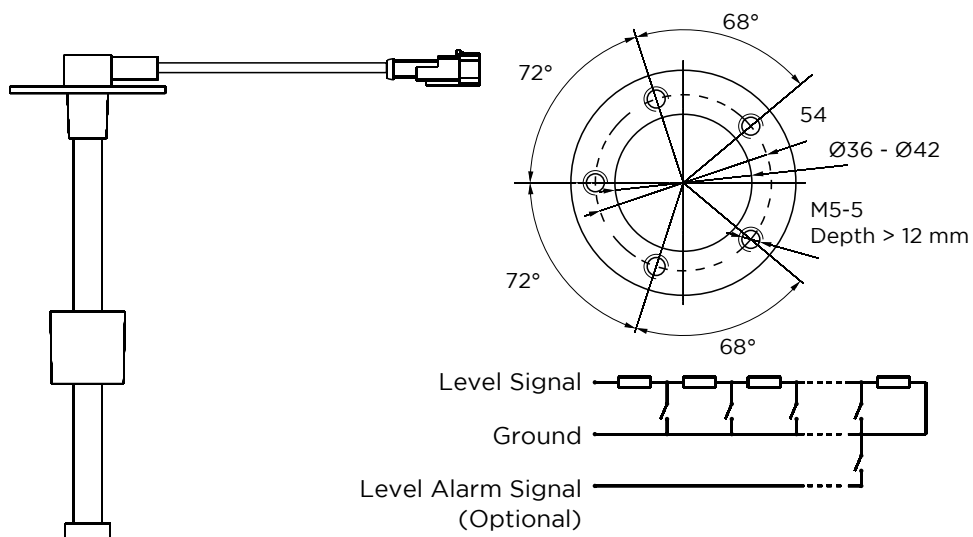


# SSS/SSL



## Specifications

Material	SUS 316 Stainless Steel body, NBR float, PVC cable
Mounting	SAE 5 Hole Pattern
IP Rating	IP67
Signal Output	Resistance control signal American Standard 240-33 ohms European Standard 0-180 ohms
Resolution	0.5" - 0.8" (10 mm - 21 mm)
Operating Temperature	-40°F to +185°F (-40°C to +85°C)
Lengths	4" - 78" (100 mm - 2000 mm), customizable
Accessories	M5 screws x 5 2 mm thick NBR gasket x 1

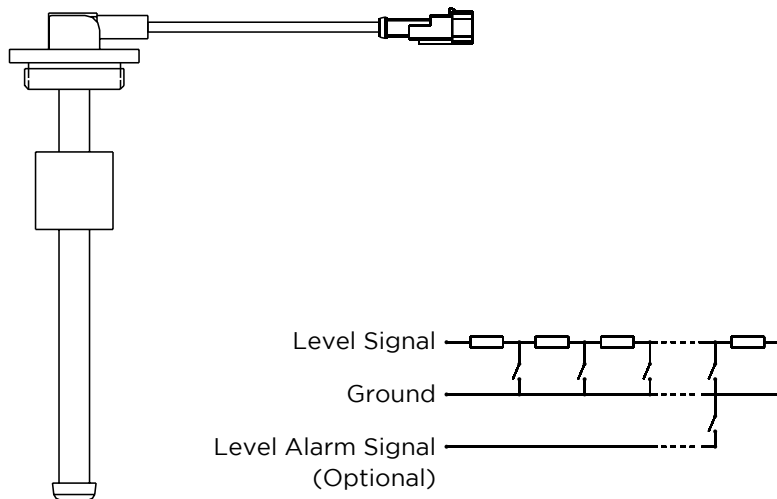


# S3U



## Specifications

Material	SUS 316 Stainless Steel body, NBR float, PVC cable
Mounting	BSP 1.25" Thread
IP Rating	IP67
Signal Output	Resistance control signal American Standard 240-33 ohms European Standard 0-180 ohms
Resolution	0.5" - 0.8" (10 mm - 21 mm)
Operating Temperature	-40°F to +185°F (-40°C to +85°C)
Lengths	4" - 78" (100 mm - 2000 mm), customizable



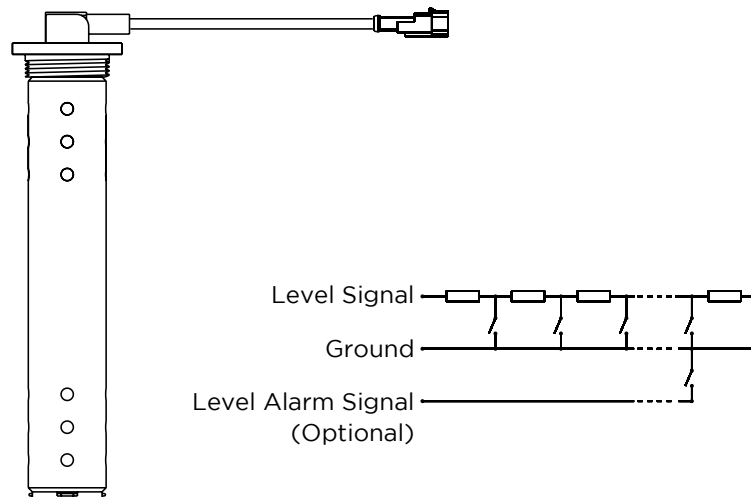


# S3HT



## Specifications

Material	SUS 316 Stainless Steel body
Mounting	BSP 1.25" Thread
IP Rating	IP67
Signal Output	Resistance control signal American Standard 240-33 ohms European Standard 0-180 ohms
Resolution	0.5" - 1.5" (10 mm - 40 mm)
Operating Temperature	-40°F to +185°F (-40°C to +85°C)
Lengths	4", 6", 8", 12", 16", customizable

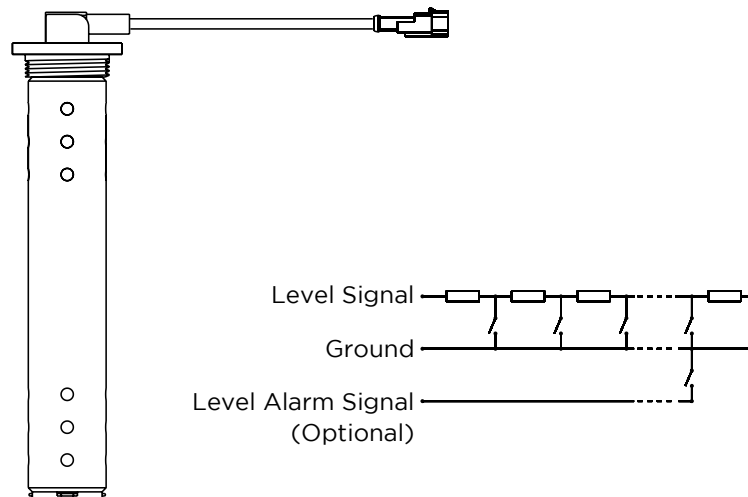


# S5H



## Specifications

Material	SUS 316 Stainless Steel body
Mounting	SAE 5 Hole Pattern
IP Rating	IP67
Signal Output	Resistance control signal American Standard 240-33 ohms European Standard 0-180 ohms
Resolution	0.5" - 1.5" (10 mm - 40 mm)
Operating Temperature	-40°F to +185°F (-40°C to +85°C)
Lengths	4", 6", 8", 12", 16", 20", 30", customizable

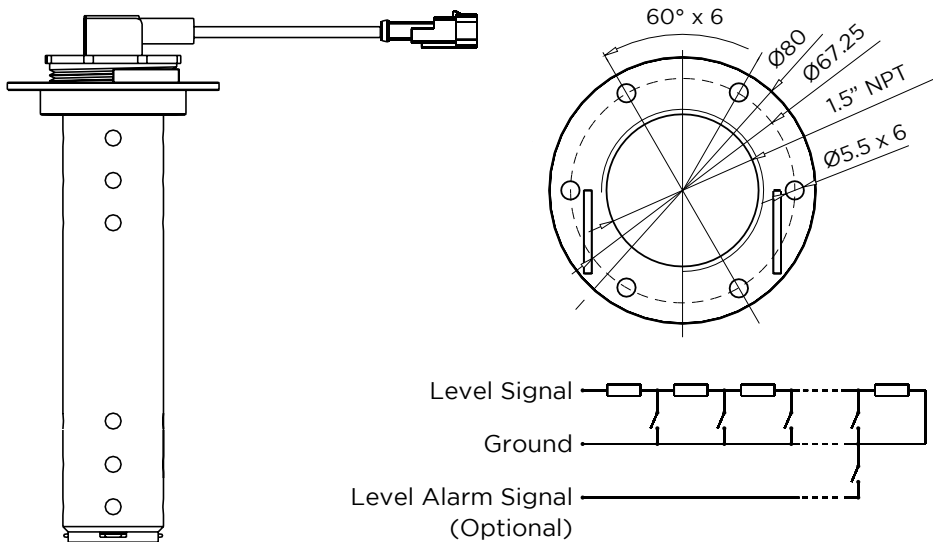


# SHS

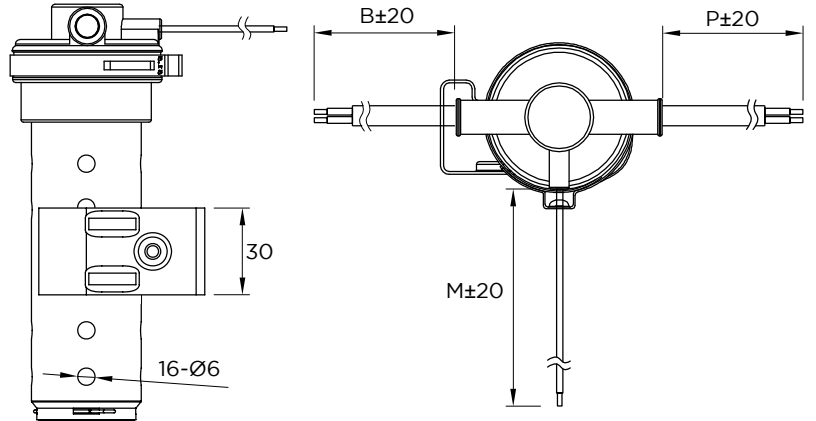


## Specifications

Material	SUS 316 Stainless Steel body, PVC wire
Mounting	NPT 1.5" Thread Twist-In
IP Rating	IP67
Signal Output	Resistance control signal American Standard 240-33 ohms European Standard 0-180 ohms
Resolution	0.5" - 1.5" (10 mm - 40 mm)
Operating Temperature	-40°F to +185°F (-40°C to +85°C)
Lengths	4", 6", 8", 12", 16", 20", 30", customizable

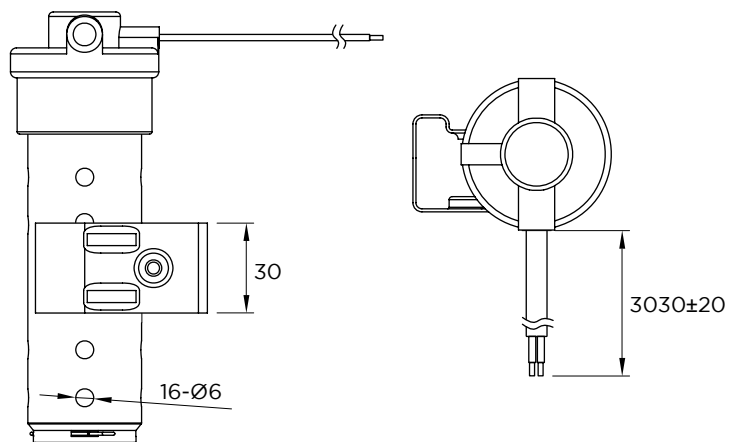


# PBK



Material	Length	Voltage	Mounting	Gasket	Connector
SS 316 Stainless Steel	4" (100 mm)	24V	BSP 1.25" Thread	NBR	NO
SS 316 Stainless Steel	4" (100 mm)	12 V	BSP 1.25" Thread	NBR	YES

# OVG



Material	Length	Voltage	Mounting	Gasket	Connector
SS 316 Stainless Steel	4" (100 mm)	12V/24V	BSP 1.25" Thread	NBR	NO

# Other Sensors



# Rudder Angle Sensors



This type of rudder sensors is usually installed on the stern rudder horn to collect signals by wire resistor.

Part Number: KE41000

---

This type of rudder sensors is usually installed on the stern rudder horn to collect signals by wire resistor.

Part Number: JZM6470



This type of rudder sensors is attached to the cylinder of the steering rudder. Signal output is via integrated reed switches. Sensor is durable and can be easily assembled.

Part Number: JSM4480

---

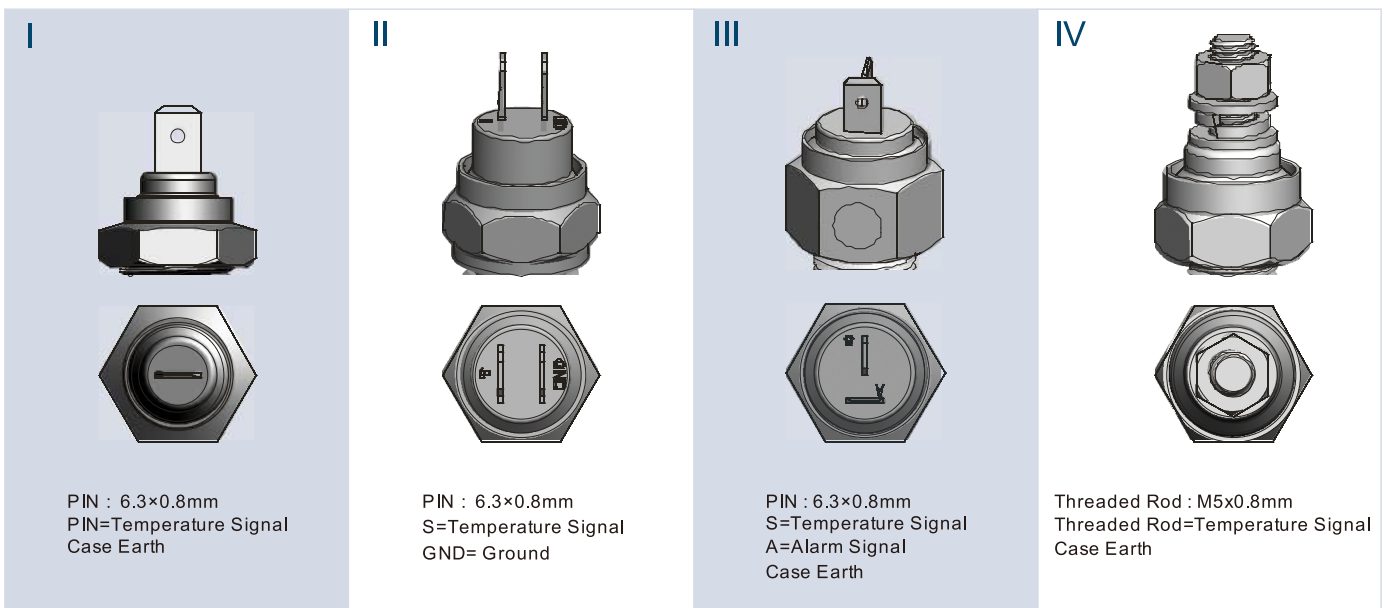


# Temperature Sensors



## Specifications

1. Main body made of brass
2. Double metal plate connectors
3. IP67 protection rating
4. Minimum 3 minutes temperature response time after power-on
5. Rated power for alarm switches ranges from 1.2W to 3W
6. Temperature alarm tolerance is  $\pm 3^{\circ}\text{C}$
7. Switch turns off when temperature rises

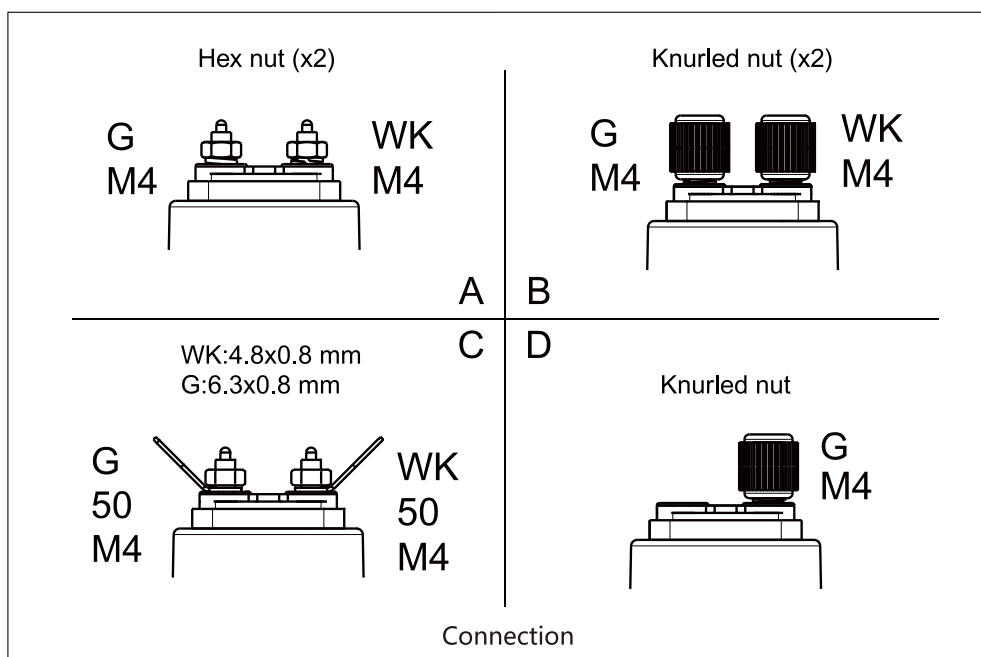


# Pressure Sensors



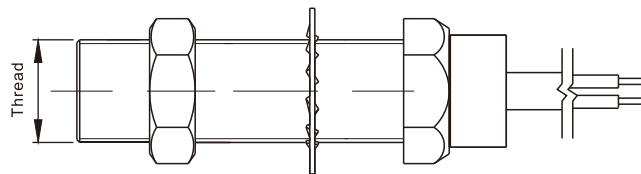
## Specifications

Operating Voltage	6V - 24V
Conducting Power	< 5W
Protection Rating	IP66
Operating Temperature	-13°F to +248°F (-25°C to +120°C)
Measuring Range	0 Bar - 5 Bar or 0 Bar - 10 Bar
Alarm	0.88 Bar or 1.4 Bar
Output Signal	Standard resistance 10 ohms - 184 ohms
Thread Fitting	NPT 1/4, NPT 1/8, M 10, M10X1, customizable





# Tachometer Sensor



## Holzer Tachometer Sensor

Connection Method	3 or 4 wires connection
Inductance Distance	$\leq 2$ mm
Operating Current	$< 50$ mA
Operating Temperature	-40°F to +185°F (-40°C to 85°C)
Operating Voltage	8V - 32V with polarity connection
Output Signal	Square Wave
Protection Rating	IP65
Signal Duty Factor	47±5%

## Magnetolectric Tachometer Sensor

Connection Method	2 wires connection
Inductance Distance	$\leq 1$ mm
Operating Temperature	-40°F to +185°F (-40°C to 85°C)
Output Signal	Sine Wave
Protection Rating	IP65
Tooth Module	2 - 6

# Accessories

## Model Number: HFL

Tooside/underside kit to suit S3HT 1.25" BSP senders



## Model Number: FL-2 WE

Tooside flange to adapt S3U 1.25" BSP to SAE 5 Hole Pattern



## Model Number: FLS-U

C-ring flange for the SAE 5 Hole Pattern on SSS/SSL senders



## Model Number: Buzzer

6.3 mm Buzzers



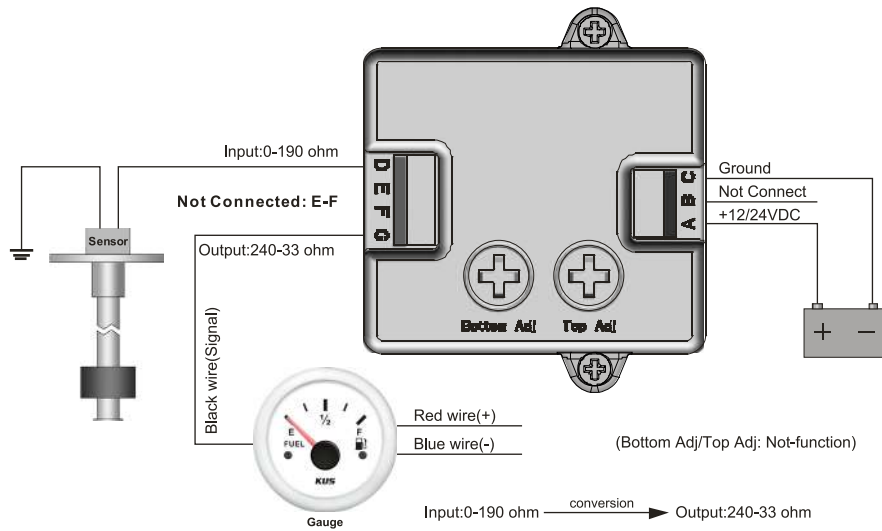
## Signal Converter - EU/US | US/EU



Part Number: JKE00473

E-F end short circuits:  
 Input American signal 240 ohms - 33 ohms  
 Output European signal 0 ohms -190 ohms

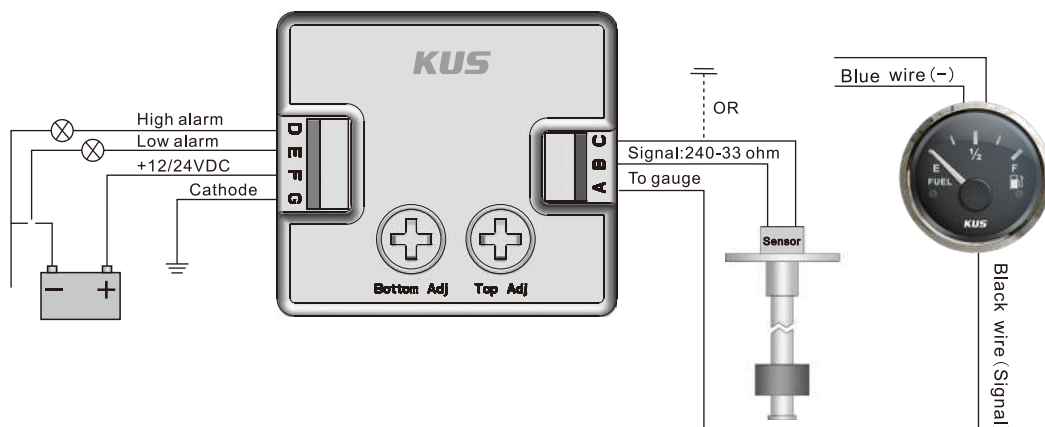
E-F end is off:  
 Input European signal 0 ohms -190 ohms  
 Output American signal 240 ohms - 33 ohms



## SAB High/Low Level Alarm

Part Number: JKE00023

This product allows the user to add a high and low level alarm signal to the control and monitoring system. The high/low level alarm position could be adjusted by turning the two adjusting knobs.

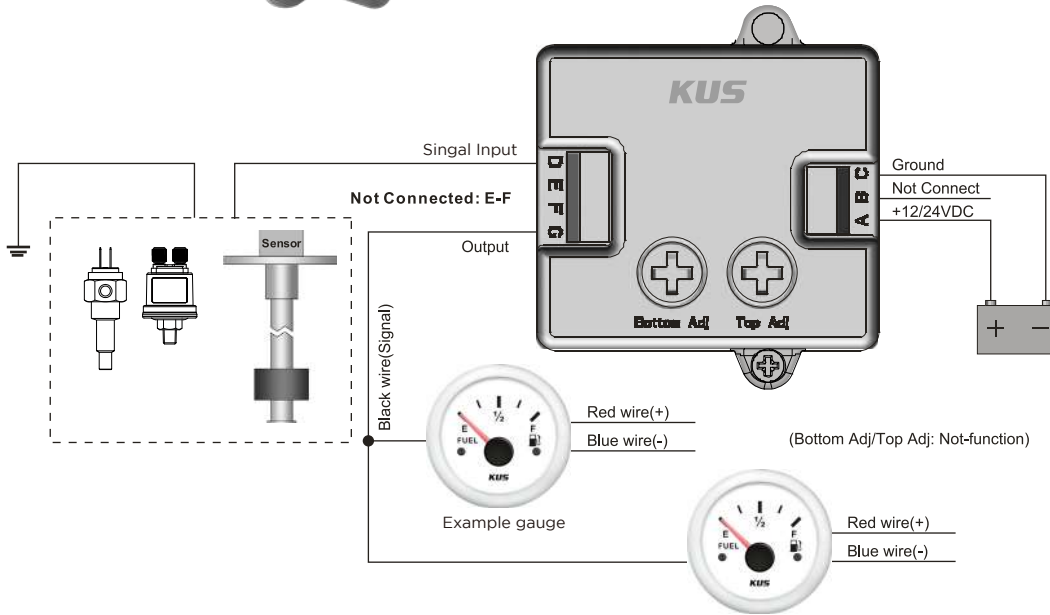


## Dual Station Converter



Part Number: JMC0003

This product allows the connection of one sensor to two gauges. The maximum resistance range of the sensor is required to be 0 ohm - 930 ohms. The product can be applied to pressure, oil temperature, liquid level sensors, etc.



## Frequency Stabilizer

Part Number: JYC0003

Size: 63\*36\*14mm

Operating Voltage: 8-32V



This product mainly solves the problem of abnormal instrument display caused by the unstable frequency signal of in the complex working environment. It filters the frequency signal of the engine or speed sensor to make the signal more stable.

