

KUS

Buzzer

User's Manual



www.kus-usa.com

Table of Contents

1. General 1
2. Installation 2

Revision History

Revision	Description
1.0	Original Document

Applicable to tank without flange assembly, panel thickness 2~8mm

Step 1:

Cut a 32.5mm diameter panel hole (See Figure. 1)

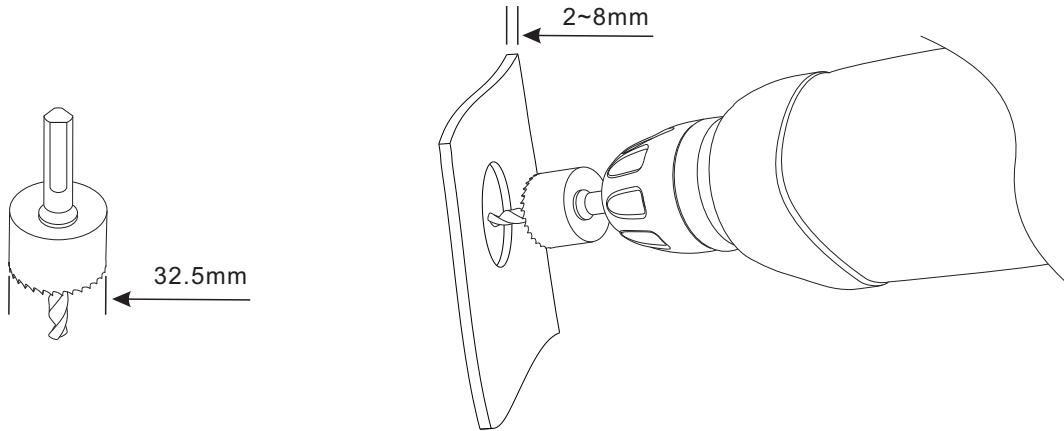


Figure. 1

Step 2:

Align the area, then drill hole with opener (Figure 2)

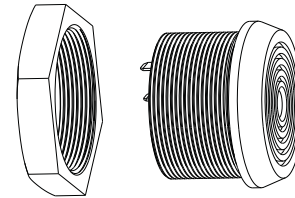


Figure. 2

Step3:

Mount the buzzer into the hole on panel, then tightly screw with fastening ring/hex nut (see Figure. 3).

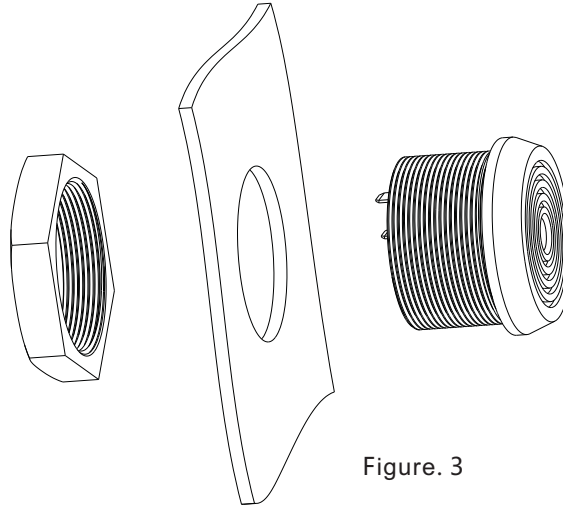


Figure. 3

www.kus-usa.com

KUS

Since 1984

