

KUS

FLS-U

User's Manual



Table of Contents

1. Create Hole 1

2. Installation Steps 2

Revision History

Revision	Description
1.0	Original Document

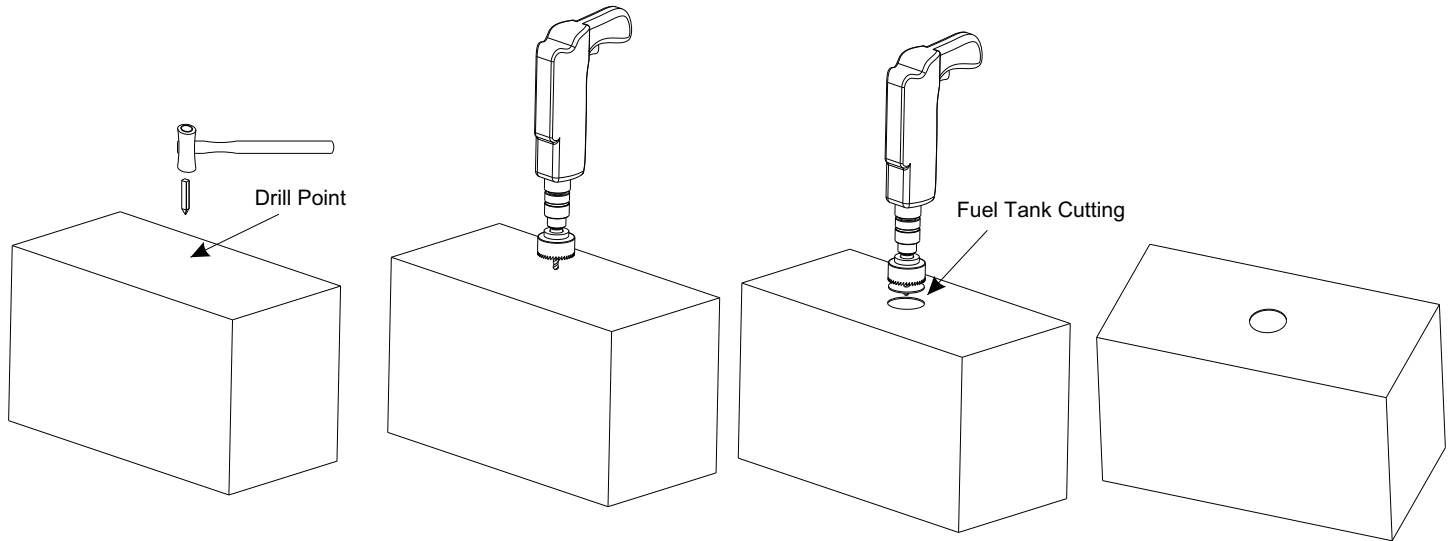
1. Create Hole

Open 60mm round hole in tank. Prepare tools: electric hand drill, driller, drill point, hammer, & steel file.

- ① : Empty tank
- ② : Place bore bit into hand drill, tighten and connect to power
- ③ : Use drill point and hammer to mark position where hole will be drilled
- ④ : Point hand drill down and align it vertically with tank, begin drilling at steady pace

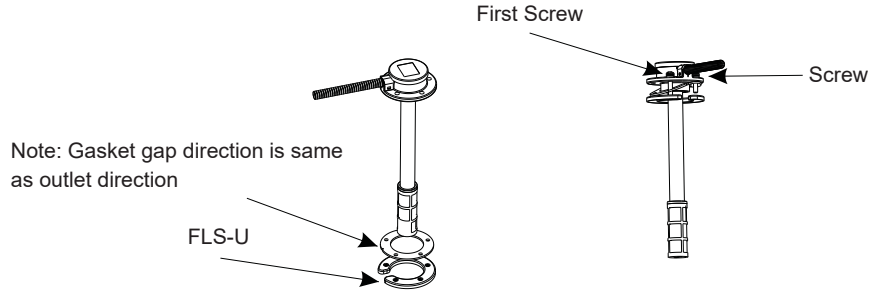
Remove cut material from tank after drilling

- ⑤ : Use steel file to clean burrs around drilled hole

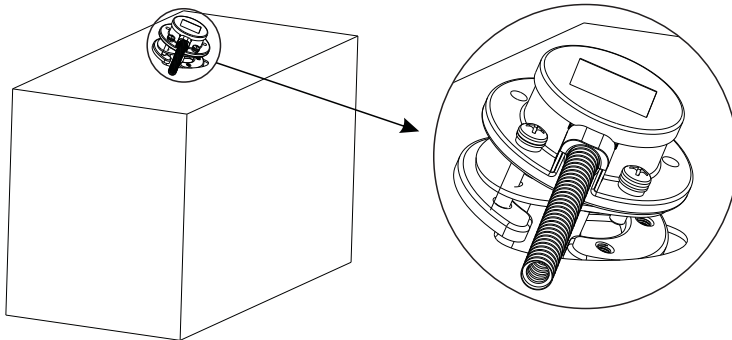


2. Installation Steps

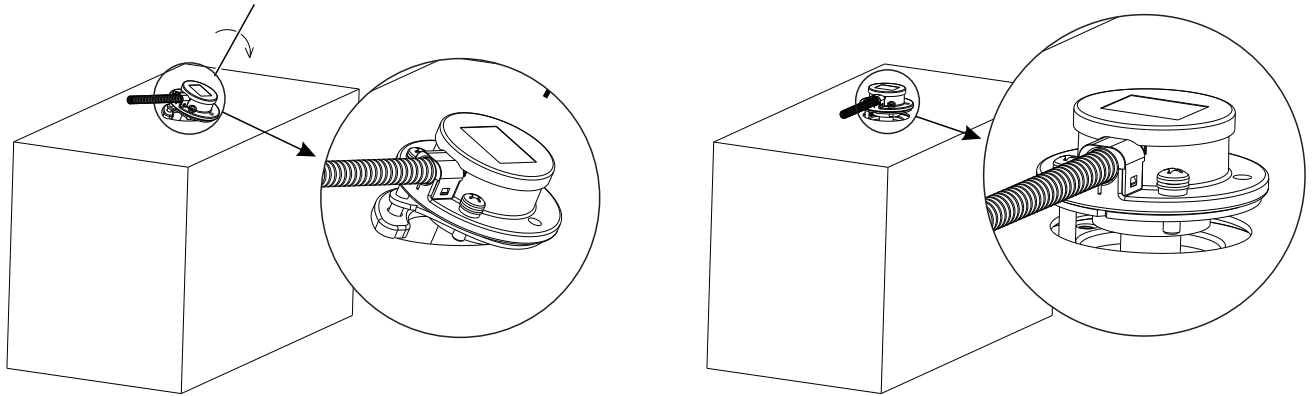
- Step 1:** Place gasket and FLS-U through bottom of sensor, bring them to top
Screw first screw through left hole and gasket FLS-U, 3~5 screw teeth protruding from FLS-U
Pass remaining screws through holes on right side of wire and gasket
Adjust sealing ring position, see picture below



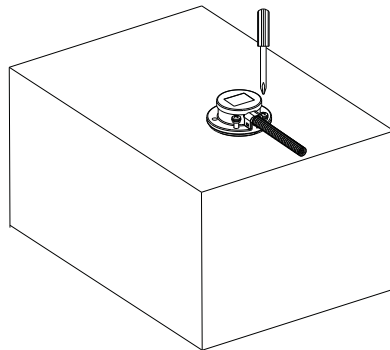
- Step 2:** Insert sensor into tank hole, tilt sensor, then insert one end lightly into tank opening



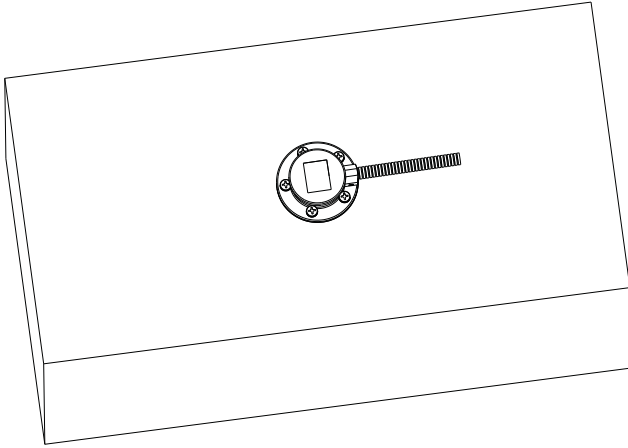
Step 3: Rotate sensor clockwise so it can rotate into tank



Step 4: Loosen screw, adjust FLS-U position, align other screws with screw hole on FLS-U, then tighten screws with screwdriver (do not lock).



Step 5: Tighten screws firmly in star pattern



www.kus-usa.com

KUS
Since 1984

