

KMB-43 Instruction Manual



CONTENTS

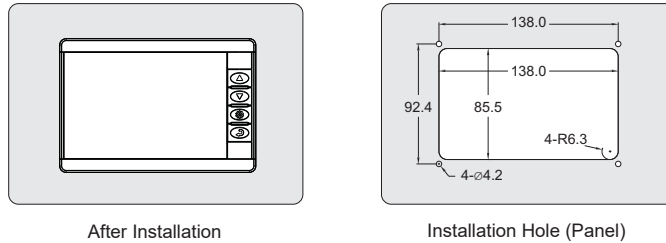
- I、Installation01
- II、Operation05
- III、Spec and Parameter06
- IV、NMEA2000 Parameter Group Number(PGN)06
- V、SAE-J1939 Parameter Group Number(PGN)07
- VI、Attentions07

The KMB-43 Series is an Integrated Data Monitor with an advanced TFT (Thin Film Transistor) screen. The KMB-43 displays real time network information including engine output, fluid levels, and speed. KUS can also customize the unit to meet customer requirements. The unit is compatible with J1939 and NMEA 2000 systems. The KMB-43 is a perfect fit for marine applications that monitor information over the J1939 or NMEA 2000 network.

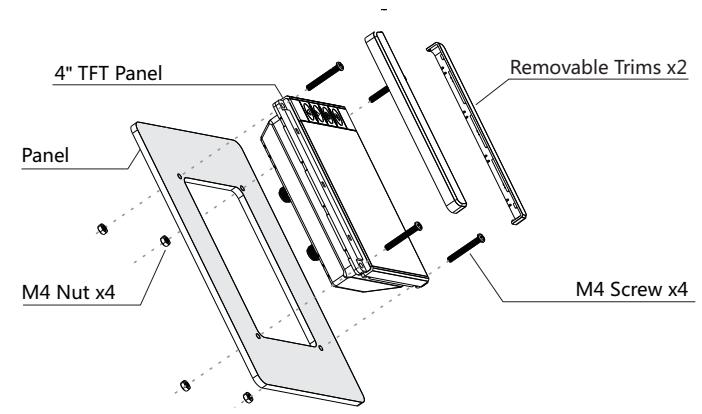
Installation

Method one, Install KMB gauge from upper side of panel as shown below:

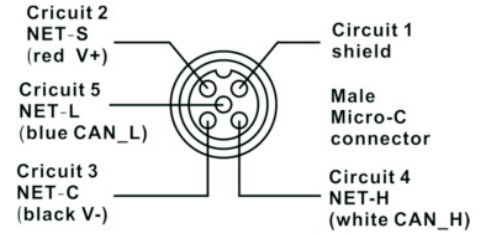
- 1、 Open one 138.0mm length and 85.5mm width hole. Make sure hole dimensions are the same as shown below.
- 2、 Install KMB gauge from top to bottom, adjust position, and lock screws.
- 3、 After installation and the two trims can be removed (see installation drawing).
- 4、 Connect the NEMA2000 wires on the back of KMB gauge to the NMEA2000 network.



Installation Drawing

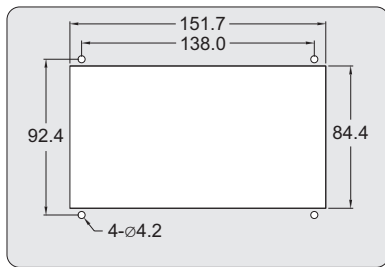
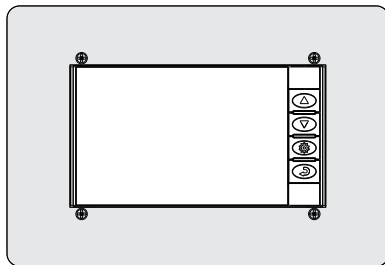


Display Screen Pin Corn

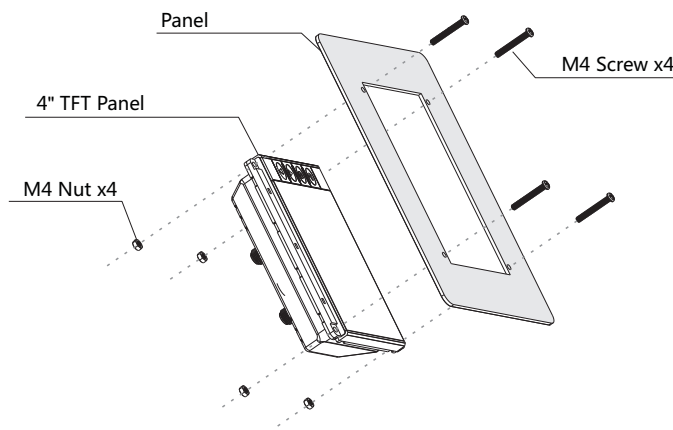


Method two, Install KMB gauge from bottom side of panel as shown below:

- 1、 Open one 151.7mm length and 84.4mm width hole. Make sure hole dimensions are the same as shown below.
- 2、 Install KMB gauge from bottom to top, adjust position, and lock screws.
- 3、 Connect the NEMA2000 wires on the back of KMB gauge to the NMEA2000 network.

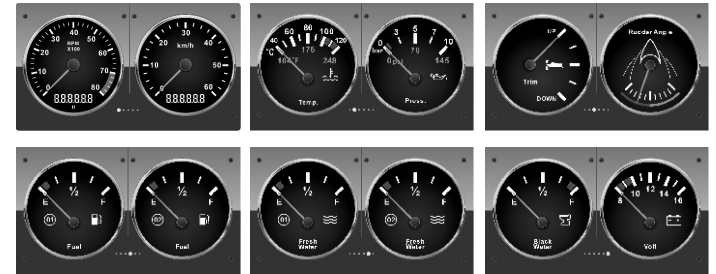


Installation Drawing

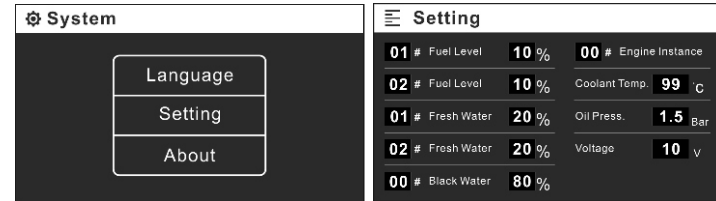


II、 Operation

• **Display Mode**



• **Setting Mode**



• **Key-press Usage**

1. "△" Scroll up or plus
2. "▽" Scroll down or subtract
3. "⚙️" Confirm or set
4. "↩️" Return

*Output will be automatically saved after confirmation, the last saved option will be ready by default when unit is powered on.

III、 Spec and Parameters

Item	KMB-43
Size	4.3 inches
Resolution	480*272 pixels
Working Volt.	9-32V DC
Working Current	300mA(12V)
Working Temp.	-20°C~+60°C
Stock Temp.	-20°C~+70°C

V、 SAE-J1939 Parameter Group Number(PGN)

PGN	DATA
65279	Fuel level
61444	Engine Speed
65263	Engine Oil Pressure
65263	Engine Coolant Temperature
65253	Engine Total Hours of Operation

VI、 Attentions

- 1、 We recommend using KUS NMEA2000 series wires for connection, if you choose other wires, please refer to the connection diagram of pin above.
- 2、 When wiring, please note that there is an eight-hole interface and a five-hole interface behind the display screen. The eight-hole interface is for debugging and the five-hole interface is for communication. Please connect to the five-hole interface correctly.

IV、 NMEA2000 Parameter Group Number(PGN)

PGN	DATA
127245	Rudder: Rudder Position
127488	Engine Parameters, Rapid Update: Engine Speed(RPM)/Engine trim
127489	Engine Parameters, Dynamic: Engine temp. Oil press./Total engine hours
127505	Fluid Level: Fuel level/Fresh water level/Black water level (Sewage)
127508	Battery Status: Battery Voltage
129026	COG & SOG, Rapid Update: Course Over Ground/Speed Over Ground