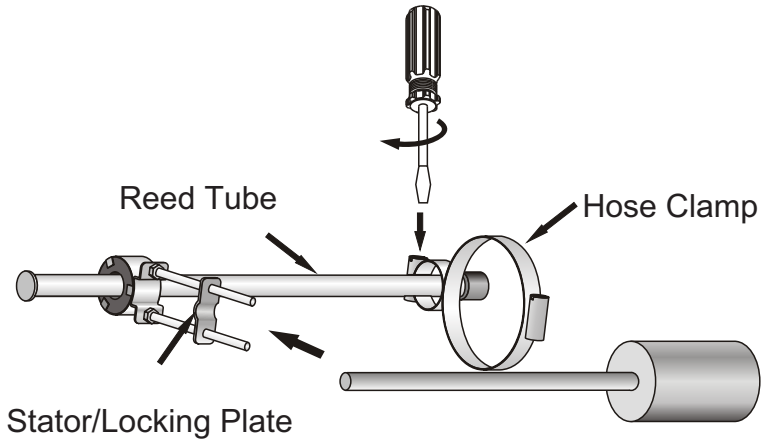


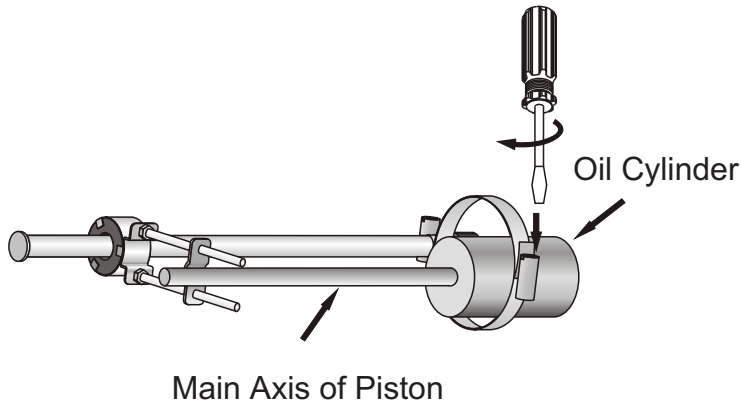
ROD-4 INSTALLATION INSTRUCTIONS

1



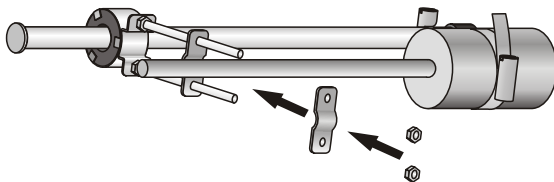
Step One: Secure smaller end of hose clamp to reed tube using flat head screw driver

2



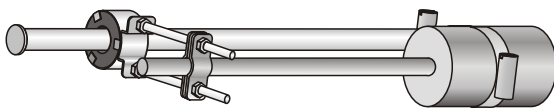
Step Two: Secure larger end of hose clamp to oil cylinder using flat head screw driver

3



Step Three: Use screw to secure main axis of piston to stator/locking plate

4



Step Four: See finished product as featured in picture

For debugging turn steering wheel to mid position then loosely fasten Stator/Locking Plate to Main Axis of Piston. With Rudder straight ahead, calibrate sensor to gauge by moving Stator by hand until gauge shows central position. Check carefully that you can turn wheel fully to port and starboard without sensor causing problems; gauge should show full range. Might be necessary to move Hose Clamp on Oil Cylinder to get correct reading. Tighten up all screws when correct mounting is achieved.