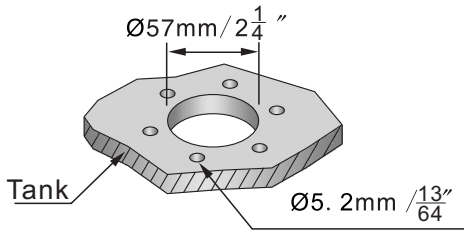


SHS SENDER MOUNTING INSTRUCTIONS

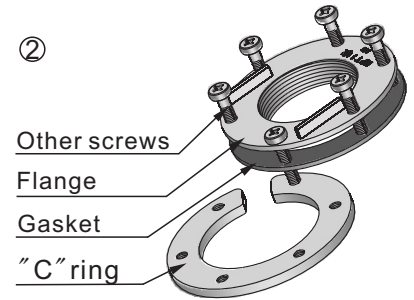
①



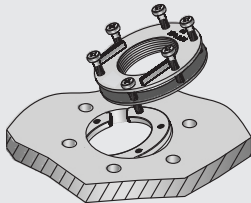
Drill one $\text{Ø}57\text{mm} / 2\frac{1}{4}''$ hole and six $\text{Ø}5.2\text{mm} / \frac{13}{64}''$ holes in the tank.

Thread the first screw (any of the 6) through the flange and gasket, then proceed to thread the other 5 screws through the flange and gasket. Thread the first screw (any of the 6) through the "C" ring as shown in the drawing.

②

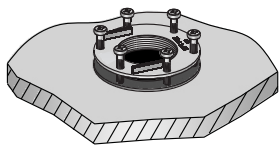


③



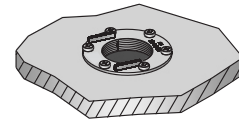
Twist the "C" ring until it is inside the tank opening, then line up the "C" ring and screw down one of the 5 screws. Take out the first screw.

④



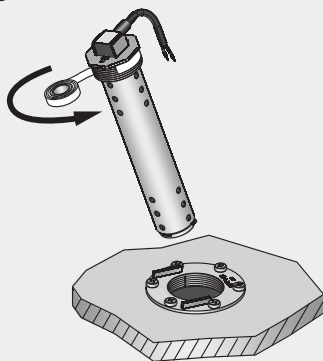
Line up the "C" ring and loosely screw the remaining screws evenly into the "C" ring.

⑤



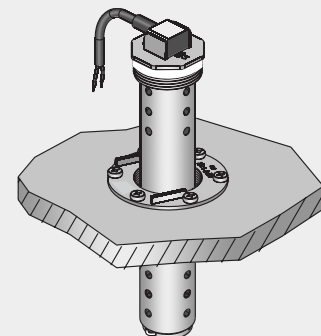
Tighten the screws evenly in a star pattern.

⑥



Put Teflon tape on the sender threads. Note the direction of the tape.

⑦



Thread the sender into the flange.

You may use your own way to assemble the flange and sender unit. We recommended using the instructions above to prevent any parts from falling into the holding tank.