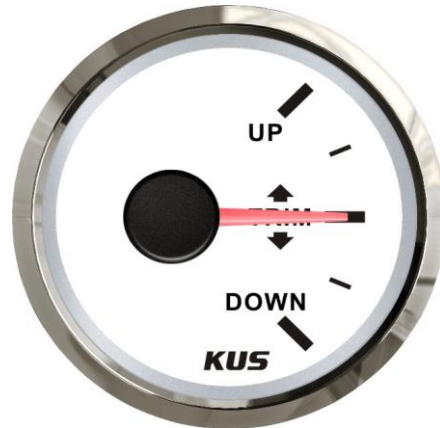




Sensing Quality, Gauging Success!

3350 Davie Road, Suite 203  
Davie, FL 33314  
(954)463-1075  
[www.kus-usa.com](http://www.kus-usa.com)  
[www.kusauto.com/en](http://www.kusauto.com/en)

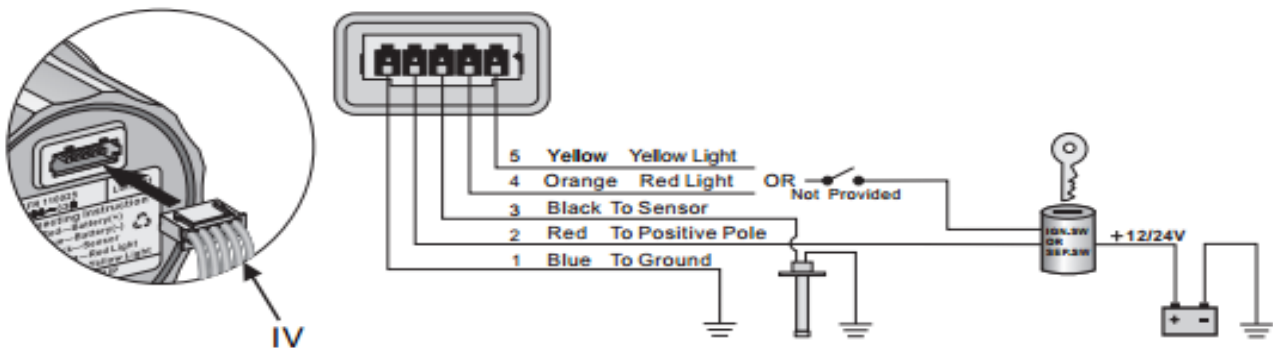
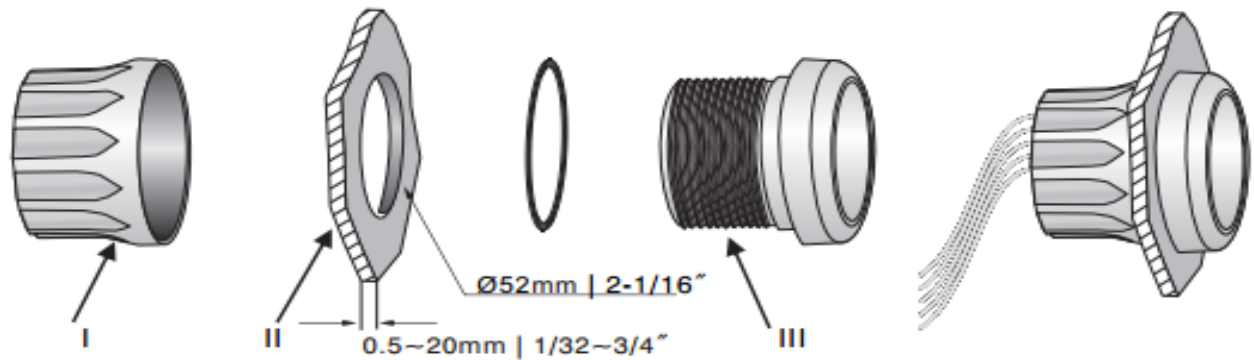
Product Data Sheet



**Description:** The Trim Gauge provides information regarding the position of the engine in relation to the boat’s stern, and whether or not the trim tabs are properly adjusted. Trim levels are extremely important to avoiding damage to the propeller when traveling in shallow water.

<b>Product Type:</b>	Trim Gauge	
<b>Product Name:</b>	CMIR	
<b>Bezel:</b>	SS 316 Stainless Steel	Plastic in Black/White
<b>Face Plate:</b>	Black	White
<b>Mounting Dimension:</b>	52mm, 2"	
<b>Protection Rating:</b>	IP7 for front; IP 5 for the back	
<b>Signal:</b>	180~10Ω	
<b>Indicating Range:</b>	Up- Down	
<b>Operating Voltage:</b>	12/24V	
<b>Background light</b>	Red or Yellow	
<b>Connector:</b>	Multi-plug socket connection	
<b>Movement:</b>	Cross coil motor movement	

## Installation Instructions



## INSTALLATION STEPS

1. Cut a 52mm (2 1/16") diameter panel hole (II). You will need a minimum clearance of 55mm (2 3/16") behind the panel to fit the gauge.
2. Remove fastening ring (I). There is an alignment tab on the gauge body (III), place the gauge in the panel hole and mark the position of this tab to correctly align the gauge.
3. According to wiring instruction to do wire connection. Gauge can be connected to 12/24V power directly.
4. Select either red or yellow as backlight by your fondness.
5. Insert wire harness (IV) into port at the back of the gauge.
6. If you purchased a voltmeter gauge, there is no black wire in the (# IV) wire harness.