

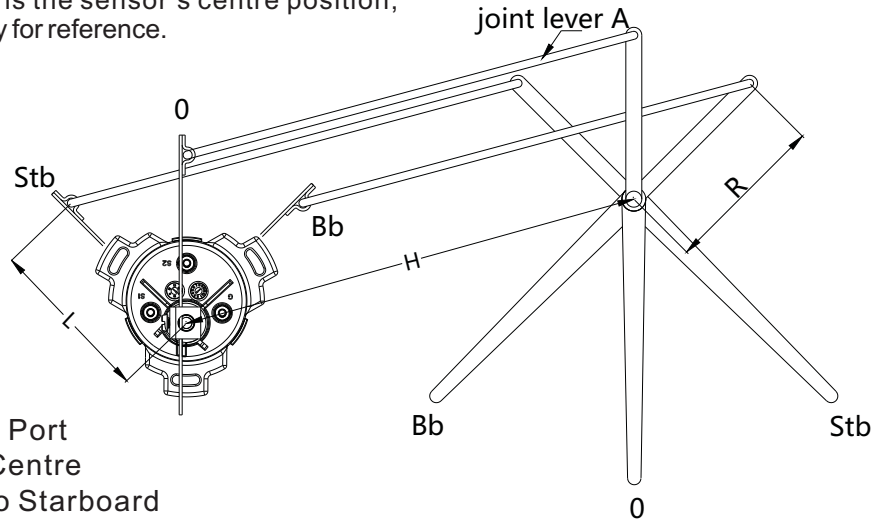
2. Rudder Sensor Installation Instructions

II. Connection and installation with rudder:

Installation:

1. Install the rudder sensor next to the rudder on boat, connect the R with the spindle L on Rudder sensor with joint lever A (joint lever A is prepared by user). Length of the joint lever A is almost the same as the distance between the rudder and the axis of the sensor (H);
2. When the installation position of the sensor and the length of joint lever A are fixed, you can adjust the spindle L to the same length as that for rudder R;
3. After connecting the parts, firstly adjust the position of rudder sensor and make sure that rudder sensor output is 95 ohm when the rudder is in its zero position, and then make sure the other positions are right;
4. The rudder can not move towards the full rudder direction when the sensor displays full rudder, so the sensor can be prevented from being damaged and avoid giving wrong indications.

Note: The 95 ohm's position is the sensor's centre position;
Above Installation is only for reference.



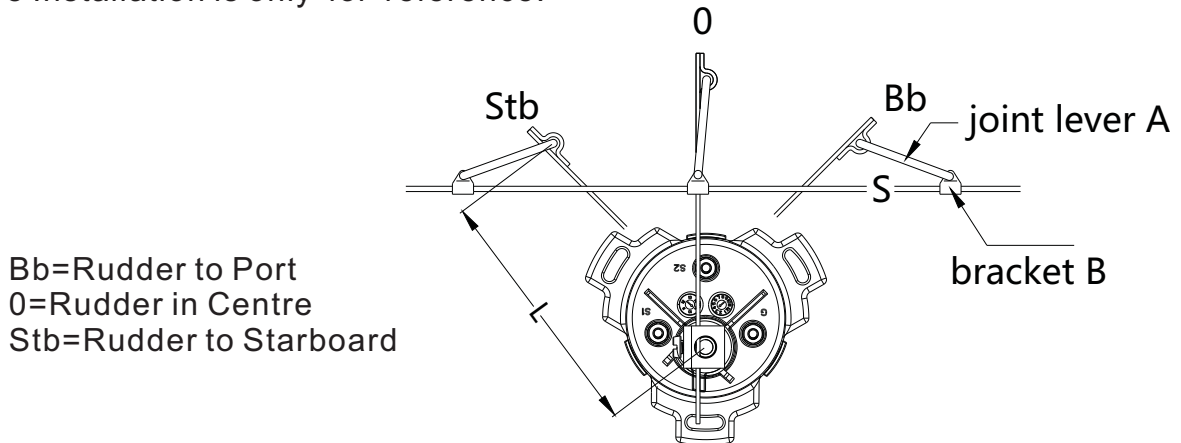
Bb=Rudder to Port
0=Rudder in Centre
Stb=Rudder to Starboard

III. Connection with the cable:

Installation:

1. Install the Rudder sensor in proper position, connect the sensor and cable S with joint lever A and bracket B (joint lever A and bracket B are prepared by users) ;
2. When the installation position of the sensor and the length of joint lever A are fixed, you can adjust the spindle L to the same length as that of joint lever A;
3. After connecting the parts, firstly adjust the position of rudder sensor and make sure that rudder sensor output is 95 ohm when the rudder is in its zero position, and then make sure the other positions are right;
4. Cable S can not move towards the full rudder direction when the sensor displays full rudder, so the sensor can be prevented from being damaged and avoid giving wrong indication.

Note: The 95 ohm's position is the sensor's centre position;
Above Installation is only for reference.



KUS

Since 1984

