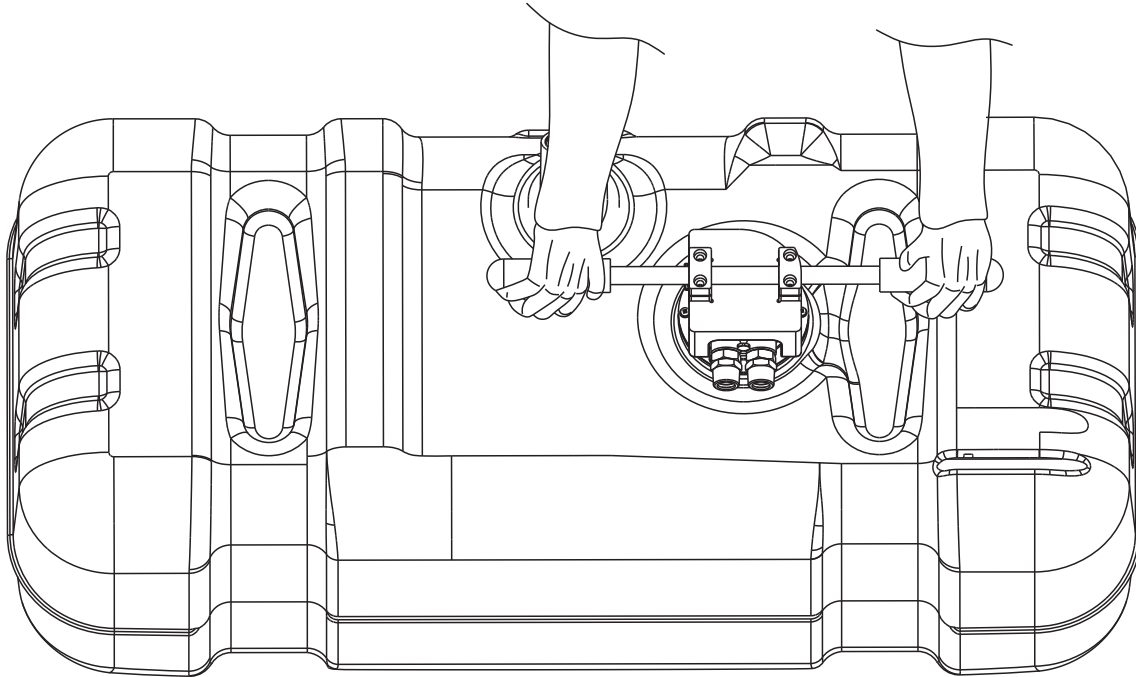


Insert the O-ring of the sensor into the holder of the fuel tank, then rotate it clockwise with the wrench/fixture for 30°. The assembly is complete.



KUS

— Since 1984 —

